

Patent number: ZL 2020 2 1000365.1

Product picture print for reference only, subject to the actual product

Characteristics:

1. Vacuum epoxy potting, 100°C/6 h high temperature aging, Twenty years of life, High electrical strength
2. High quality H18 silicon steel sheet, Low temperature, High efficiency
3. PBT engineering plastic, environmental protection, flame retardant, 120 degrees without deformation
4. Reasonable structure, Easy installation, Low noise, Strong earthquake sealed waterproof, moistureproof

Technical Index:

- Technical Index: Sub-plate mount
- Flame resistance: UL94-V0
- Insulation class: B
- Operation temperature: -30°C ~ +40°C
- Work frequency: 50Hz ~ 60Hz
- Dielectric strength: Pri/Sec 3.5KV 50Hz 1min 5mA
Sec 500V 50Hz 1min 5mA

Electrical parameters: The following parameters are typical values. The actual values shall be subject to the actual measurement of the product

Primary voltage	110V	220V	230V	380V	Unit
Primary voltage range	± 10				%
Power	20				VA
Voltage regulation	≤ 15				%
Temperature rising	≤ 20				°C
No load loss	≤ 1.7				W
weight	545				g



Standard output parameters Table:

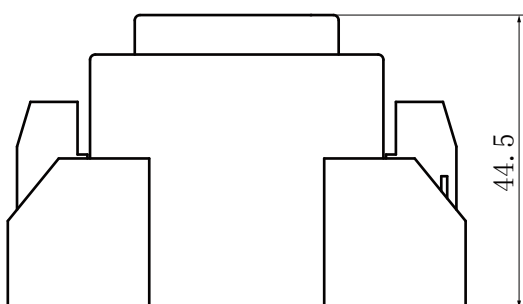
(Delivery is subject to full load voltage)

Secondary output voltage		Secondary No-load Voltage		Secondary full load current	
Single	Double	Single	Double	Single	Double
6V	6V × 2	6.7V	6.7V × 2	3333mA	1667mA × 2
7.5V	7.5V × 2	8.4V	8.4V × 2	2666mA	1333mA × 2
9V	9V × 2	10.1V	10.1V × 2	2222mA	1111mA × 2
12V	12V × 2	13.5V	13.5V × 2	1666mA	833mA × 2
15V	15V × 2	17V	17V × 2	1333mA	667mA × 2
18V	18V × 2	20.3V	20.3V × 2	1111mA	555.5mA × 2
24V	24V × 2	27.1V	27.1V × 2	833mA	416.5mA × 2

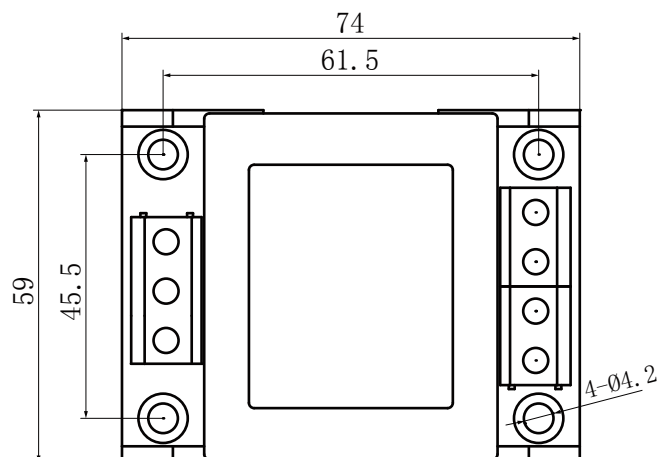
Schematic Diagram:



Dimensions (in mm±0.5)



Front view



Top view