

Pilot operated check valves from the Parker series CPOM are in sandwich design for easy configuration of stack systems. Depending on the function required, one or two pilot operated check valves are arranged in the ports A and/or B. The free flow direction is always from the valve side to the manifold side.

**Function**

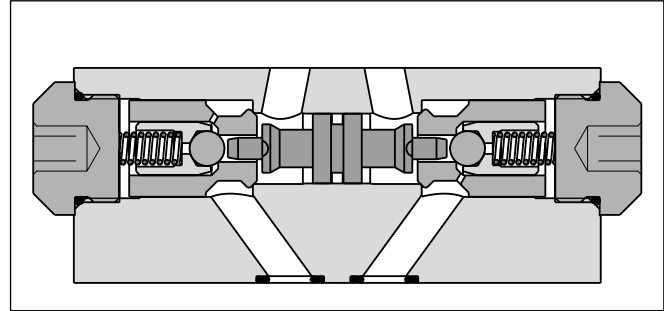
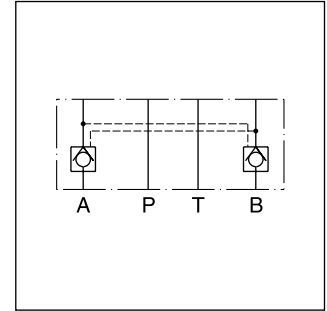
The check valves open when flowing to the consumer side, where the opposing check valve is hydraulically-mechanically pilot operated simultaneously by a control spool, and thus the return flow is enabled from other consumer sides.

**Features**

- The valve bodies of the Parker valve series CPOM are made of steel.
- The valve poppet is precisely guided into the steel sleeve and ensures a good seal on the seat.
- When the valve poppet is open, the large cross-section allows high flow rates at low differential pressure.
- Pre-opening for CPOM\*HT to achieve smooth opening.



CPOM3



www: [www.salushydraulics.pl](http://www.salushydraulics.pl)  
 e-mail: [pl@salushydraulics.pl](mailto:pl@salushydraulics.pl)  
 shop/sklep: [www.salushydraulics.pl/sklep/](http://www.salushydraulics.pl/sklep/)

**CPOM2DDHTV**

**Ordering code**

**With pre-opening**

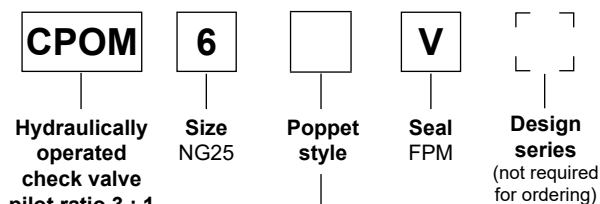
	<b>CPOM</b>	□	□	□	<b>HT</b>	<b>V</b>	□	□ □
	Hydraulically operated check valve	Size	Poppet style	Opening pressure	Pilot ratio 1:6	Seal FPM	Options	Design series (not required for ordering)
Code	Size						Code	Options
2	NG06						omit	without coating
3	NG10						1P	ZnNi coating <sup>1)</sup>
Code	Connection						Code	Pressure
AA	only A						omit	Standard
BB	only B						25	2.5 bar
DD	A and B						70	7.0 bar

**With pre-opening**

	<b>CPOM</b>	<b>4</b>	□	<b>HT</b>	<b>V</b>	□ □
	Hydraulically operated check valve	Size NG16	Poppet style	Pilot ratio 13:1	Seal FPM	Design series (not required for ordering)
Code	Connection					
AA	only A					
BB	only B					
DD	A and B					

<sup>1)</sup> On request.

Without pre-opening



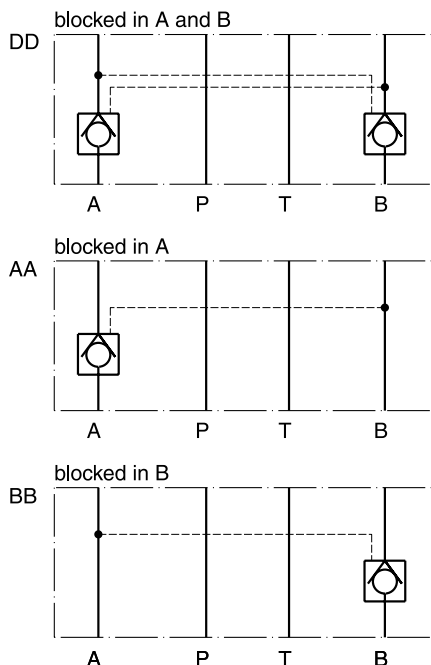
Code	Connection
AA	only A
BB	only B
DD	A and B

Technical data

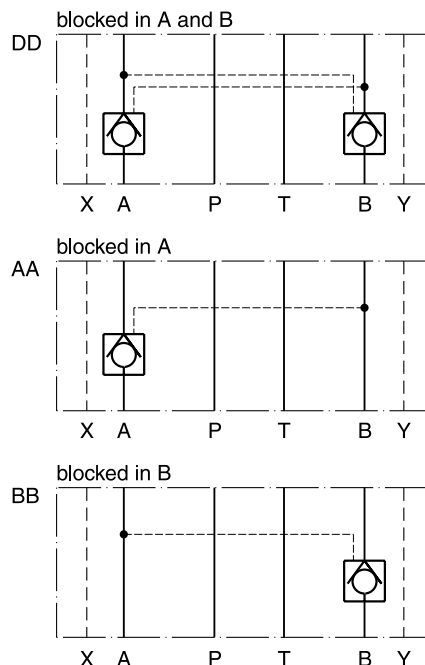
General		CPOM2	CPOM3	CPOM4	CPOM6
Series		CPOM2	CPOM3	CPOM4	CPOM6
Nominal size		NG06	NG10	NG16	NG25
Mounting interface		ISO 4401			
Ambient temperature	[°C]	-20...+70			
MTTF <sub>D</sub> value	[years]	150			
Weight	[kg]	1.2	3.1	7.65	9.5
Hydraulic					
Max. operating pressure	[bar]	350	350	350	210
Standard opening pressure	[bar]	1.5	1.5	2.0	0.4
Opening ratio		1 : 6	1 : 6	1 : 13	1 : 3
Fluid		Hydraulic oil according to DIN 51524			
Fluid temperature	[°C]	-20...+70			
Viscosity, permitted	[cSt] / [mm <sup>2</sup> /s]	20...400			
	recommended	30...80			
Filtration		ISO 4406; 18/16/13			

Schematics

CPOM2 / CPOM3

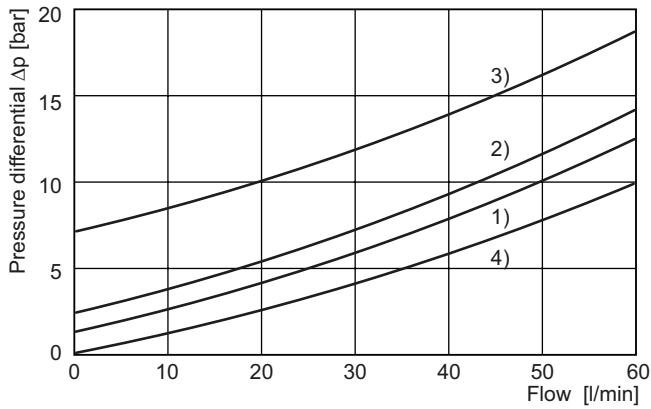


CPOM4 / CPOM6



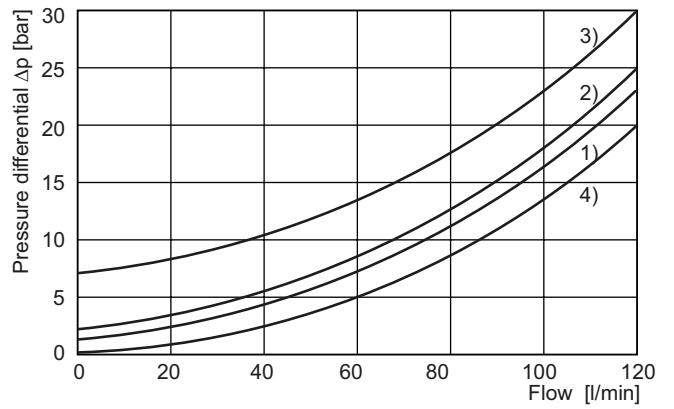
**$\Delta p/Q$  performance curves**

**CPOM2**



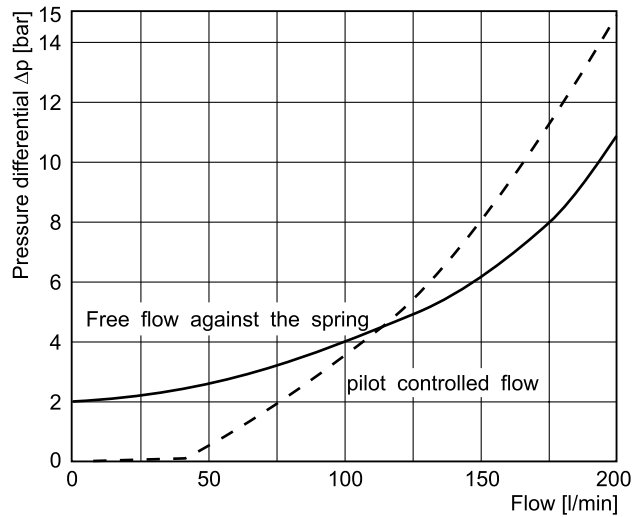
- 1) 1.5 bar
- 2) 2.5 bar
- 3) 7.0 bar

**CPOM3**

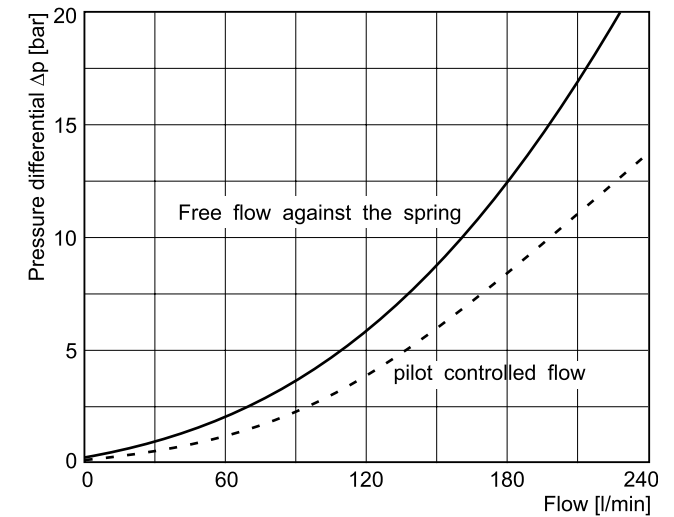


- 1) 1.5 bar
- 2) 2.5 bar
- 3) 7.0 bar

**CPOM4 (type HT)**



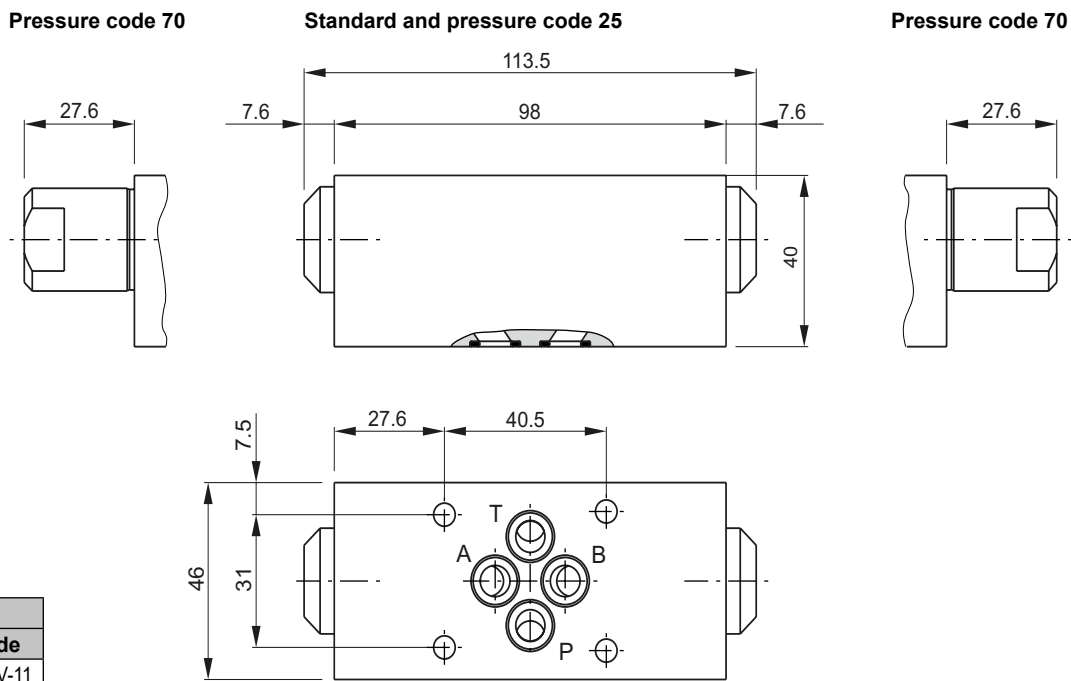
**CPOM6**



All characteristic curves measured with oil viscosity 33.0 mm<sup>2</sup>/s (cSt)

CPOM UK.indd 01.08.22

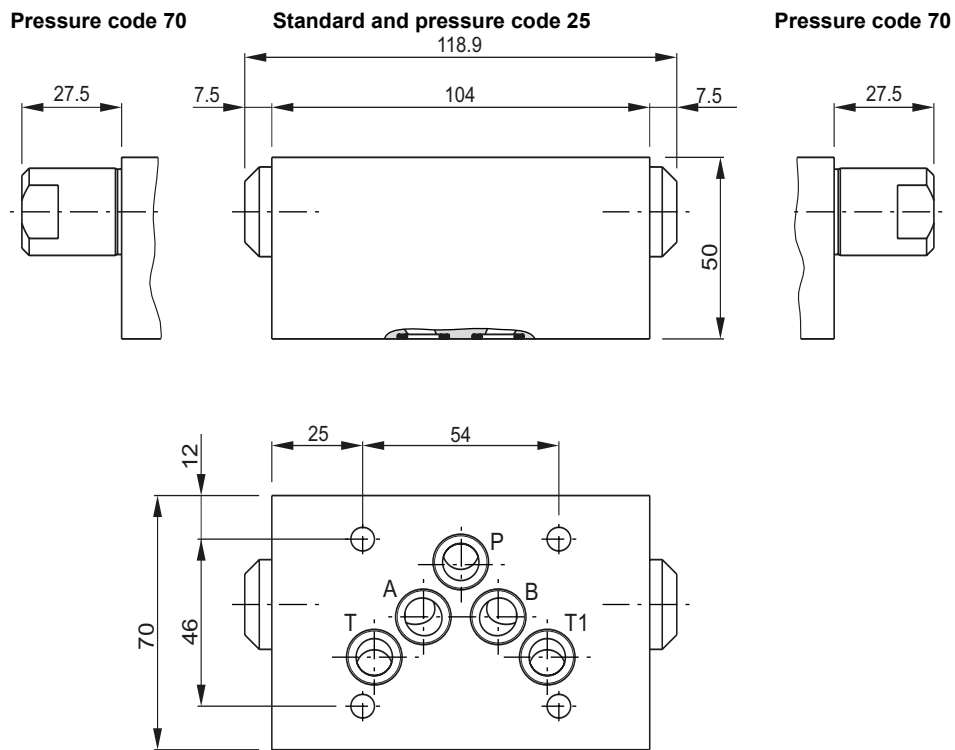
**CPOM2**



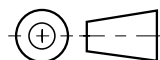
Seal kit CPOM2	
Seal	Order code
V	SK-CPOM2-V-11

**7**

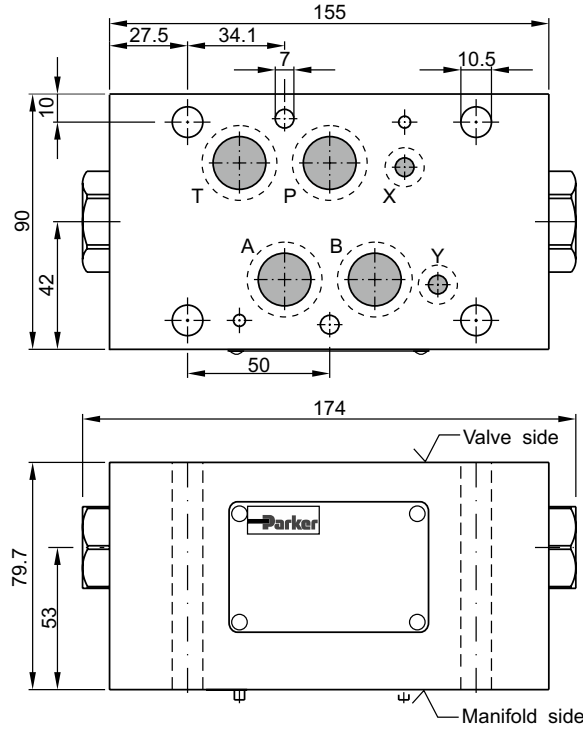
**CPOM3**



Seal kit CPOM3	
Seal	Order code
V	SK-CPOM3-V-11

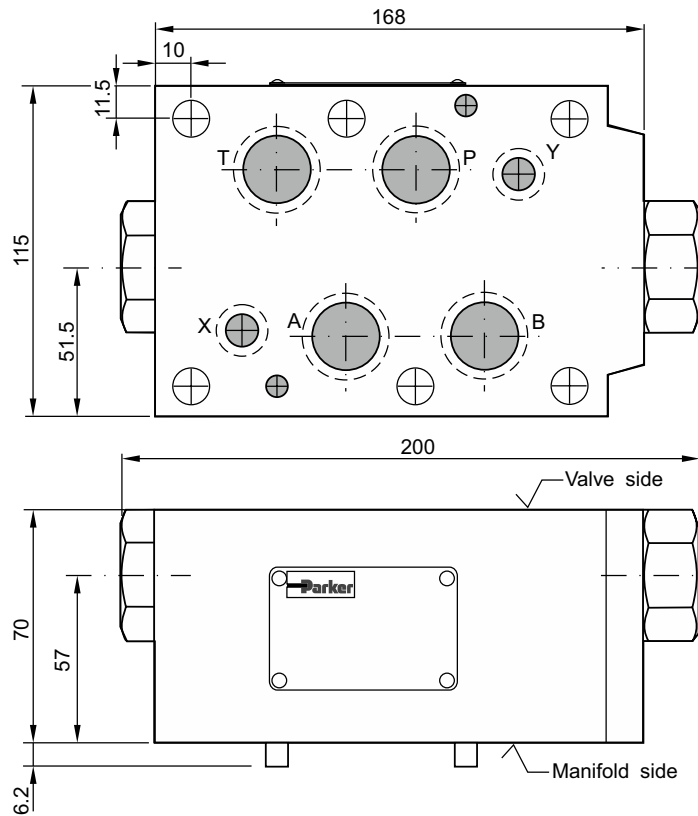


**CPOM4**



Seal kit CPOM4	
Seal	Order code
V	SK-CPOM4HTV

**CPOM6**



Seal kit CPOM6	
Seal	Order code
V	SK-CPOM6-V-20

