



O-VIS
POWER OF ENERGY

PREMIUM Valve Regulated Sealed Lead Acid AGM Battery 12V10Ah

VIS-P-12-10

Characteristics

Nominal Voltage		12V
Nominal Capacity (20 hour rate)		10Ah
Capacity 25°C (77°F)	20 hour rate (0.5A)	10Ah
	10 hour rate (0.95A)	9.5Ah
	5 hour rate (1.6A)	8.0 Ah
	1 hour rate (6.5A)	6.5Ah
Internal Resistance	Full Charged Battery 25°C (77°F)	≤22m Ω
Cyclic Life	50% (C ₂₀) Depth of discharge	700Times
Float Life	25°C (77°F) Float charge at 13.8V	About 5 Years
Capacity affected by Temperature (20 hour)	40°C (104°F)	102%
	25°C (77°F)	100%
	0°C (32°F)	85%
	-15°C (5°F)	65%
Self-Discharge 25°C (77°F)	Capacity after 3 month storage	90%
	Capacity after 6 month storage	80%
	Capacity after 12 month storage	62%
Charge (Constant Voltage) 25°C (77°F)	Cycle	Initial Charging Current Less than 3.0A Voltage 14.6-15.0V
	Float	Voltage 13.5-13.8V

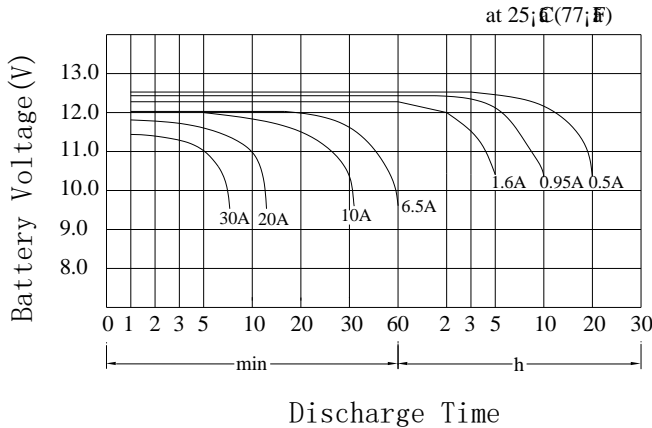
Product Image



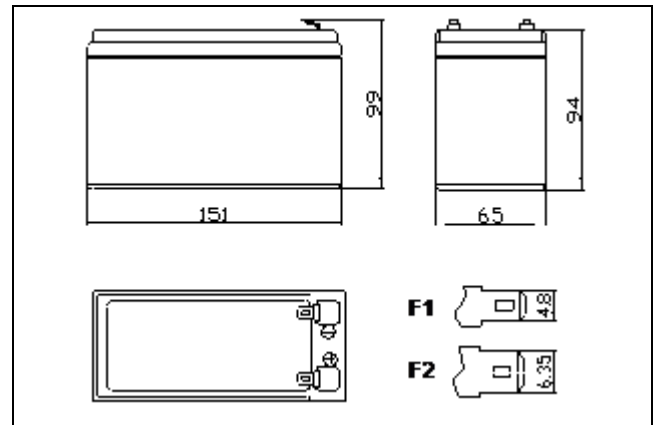
Packing

Battery (L×W×H)	mm ± 1	151×65×94×99
	inch	5.94×2.56×3.70×3.90
Box (L×W×H)	mm ± 2	320×284×122
	inch	12.6×11.2×4.81
Quantity Per Box		8 PCS
Net weight Per Cell		2.55 Kg ± 30g
Net weight Per Box		20.0 Kg
Gross Weight		20.3 Kg

Discharge Curve



Product Dimensions



Battery Construction

Component	Positive plate	Negative plate	Container	Safety valve	Terminal	Separator	Electrolyte
Raw Material	Lead dioxide	Lead	ABS	Rubber	Copper	Fiberglass	Sulfuric acid

Discharge Characteristics- Constant Power Discharge Characteristics (W) 25°C/77°F

Voltage	Run Time											
	3 min	5 min	15 min	30 min	45 min	1h	2h	3h	5h	8h	10h	20h
9.6 V	432	382	221	134	93.5	74.9	40.3	29.3	19.9	13.1	10.9	5.94
10.2V	389	349	199	123	91.2	73.7	39.7	29	19.7	13.1	10.9	5.94
10.5V	324	306	188	116	90.1	72.6	39.2	28.6	19.7	12.9	10.8	5.82
10.8V	302	273	177	100	88.9	71.4	38	27.8	19.5	12.9	10.6	5.70