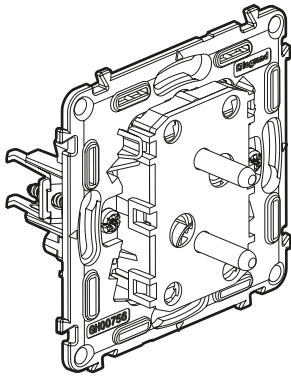
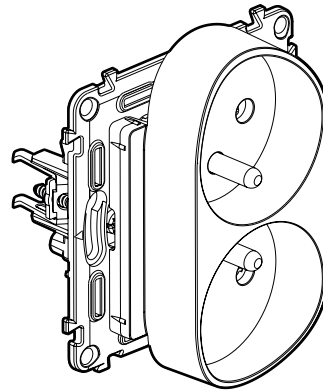


Valena™ INMATIC - Valena™ Life
Socket outlets - Poland

Cat. No.(s): 7 530 95 - 7 531 90 - 7 532 90 - 7 533 90



7 530 95



7 531 90

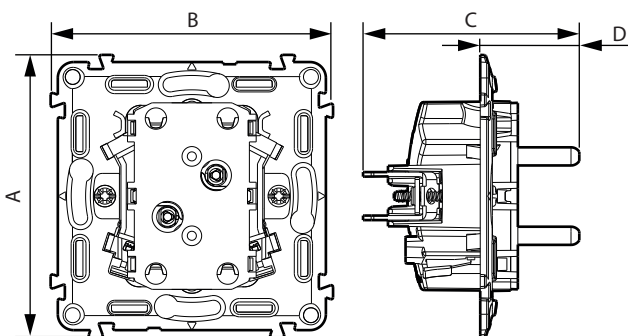
1. USE

16 A - 250 V~ socket outlets for Poland.
 Mechanism supplied with protection cover.
 Flush-mounting or surface-mounting.
 Screw or claw fixing.

2. RANGE

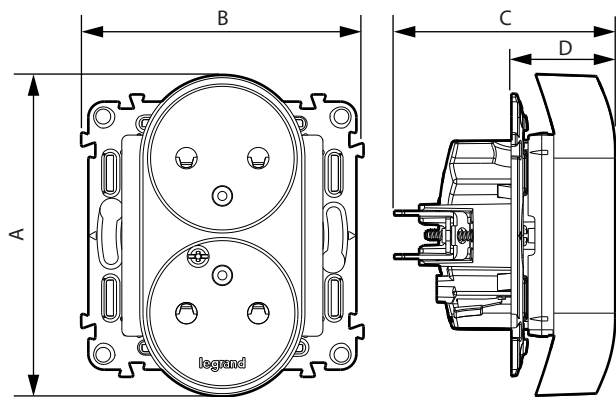
Description	Cat. Nos	Colour
Valena™ INMATIC 2 x 2 P+E socket outlet with shutters To be equipped with plate and cover plate	7 530 95	-
Valena™ Life 2 x 2 P+E socket outlets with shutters To be equipped with plate	7 531 90 7 532 90 7 533 90	White Ivory Aluminium

4. OVERALL DIMENSIONS (mm)



Reference	A	B	C	D
7 530 95	75	75	57.5	26.5

4. OVERALL DIMENSIONS (mm) (continued)



References	A	B	C	D
7 531 90 - 7 532 90 - 7 533 90	85	75	58.5	27.5

5. CONNECTION

Type of terminals: automatic
 Capacity: 2 x 2.5 mm²
 Stripping length: 13 mm
 Flexible or rigid cables compatible

6. TECHNICAL CHARACTERISTICS

■ **6.1 Mechanical characteristics**

Protection against solid bodies and liquids: IP 20
 Protection against impact: IK 04

■ **6.2 Material characteristics**

Polycarbonate
 Halogen free
 Claws: galvanised steel

Self-extinguishing:

+ 850° C / 30 s for insulating parts holding live parts in place
 + 650° C / 30 s for other parts made of insulating materials

■ **6.3 Electrical characteristics**

Voltage: 250 V~
 Current: 16 A
 Frequency: 50/60 Hz

6. TECHNICAL CHARACTERISTICS *(continued)*

■ 6.4 Climatic characteristics

Storage temperature: - 10° C to + 70° C

Use temperature: - 10° C to + 40° C

7. STANDARDS AND APPROVALS

Compliance with standards of installation and manufacturing.

CE certified.

BBJ certified.

