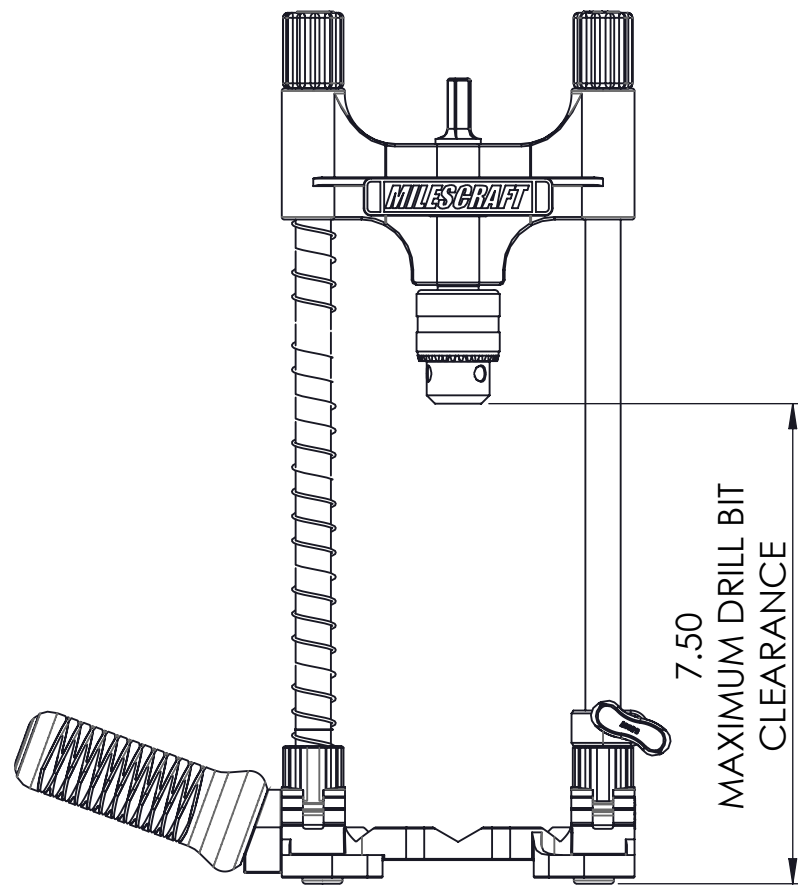
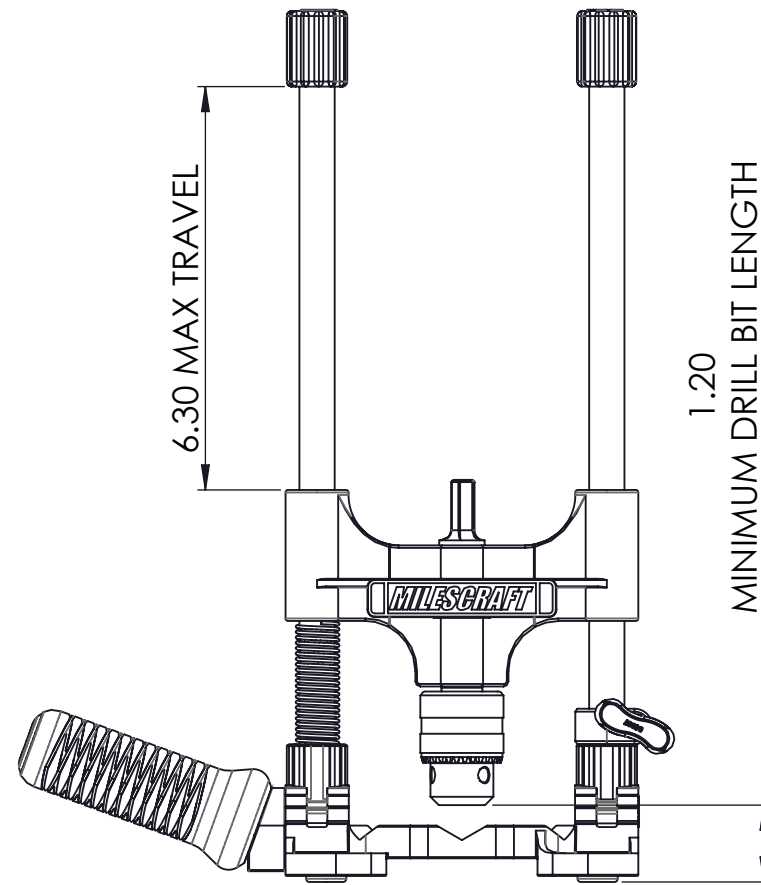


MILESCRAFT 1318 DRILL HEAD CLEARANCES

ALWAYS



WITH SPRING AND DEPTH STOP



WITHOUT SPRING OR DEPTH STOP

