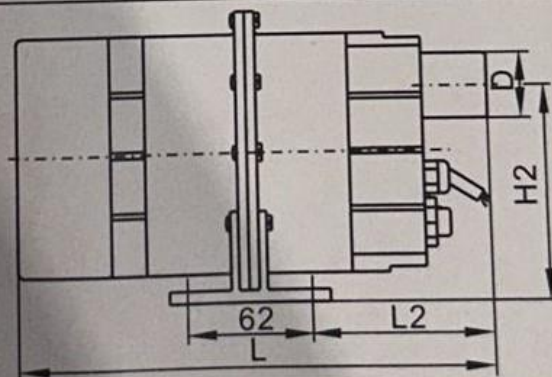
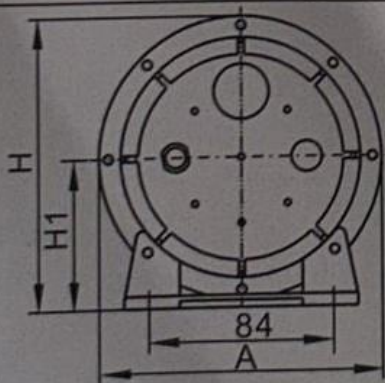


Model	Size(mm)										
	smooth outlet			threaded Outlet			L1	A	H	H1	H2
	L	L2	D	L	L2	D					
AP200/300/400X/700X-V2	262	54	φ 32	247	39	G1½	36	φ138	151	82	111
AP200/300/400X/700X-V1	234			219							
AP400/700/900-V2	276	50.5	φ 32 or φ 48	269	43.5	G1½	52.5	φ168	179	95	130
AP400/700/900-V1	249			242							



Model	Size(mm)									
	smooth outlet			threaded Outlet			A	H	H1	H2
	L	L2	D	L	L2	D				
AP200/300/400X/700X-V2	262	88.5	φ 32	247	73.5	G1½	φ138	144	75	105
AP200/300/400X/700X-V1	234			219						
AP400/700/900-V2	276	96	φ 32 or φ 48	269	90	G1½	φ168	174	90	127
AP400/700/900-V1	249			242						