

CONCENTRIC LUG BUTTERFLY VALVE INITIAL RANGE CAST IRON BODY WITH STAINLESS STEEL DISC AND EPDM SEAT

Lug butterfly valve initial range for cold and hot water, sea water, demineralized water, alcohol, milk of lime, mercury, alcalins, hydroxid of soda.

Cast iron EN GJL-250 body, stainless steel disc and EPDM seat.

Between flanges PN10/PN16.

Handling possible with gearbox.

Thanks to the ISO 5211 plate, an actuator can be installed on the valve.



Painting color is actually changing for RAL5005



New painting



Old painting

- Size :** DN40 to DN600
- Connection :** Between flanges PN10/16
- Min Temperature :** -15°C
- Max Temperature :** +110°C (130°C temporarily)
- Max Pressure :** 16 Bars up to DN300, 10 bars over
- Specifications :** Long neck for isolation
Stainless steel disc
Vulcanised EPDM seat
ISO 5211 mounting pad

Materials : Cast iron EN GJL250 body, EPDM seat

CONCENTRIC LUG BUTTERFLY VALVE INITIAL RANGE CAST IRON BODY WITH STAINLESS STEEL DISC AND EPDM SEAT

SPECIFICATIONS :

- Long neck for isolation
- ISO 5211 mounting pad
- Lug type
- Between flanges PN10 or PN16 from DN 40 to DN 600
- Full crossing stem up to DN600
- 10 positions cranted lever, with locking device up to DN150
- Double PTFE gasket on stem up to DN600
- Stainless steel disc
- Epoxy painting RAL003 80 microns thickness, **painting color is actually changing for RAL5005**
- EPDM vulcanized seat

USE :

- Cold and hot water, sea water, demineralized water, alcohol, milk of lime, mercury, alcalins, hydroxid of soda
- Min and max Temperature Ts : - 15°C to + 110°C (130°C temporarily)
- Max Pressure Ps : 16 bars up to DN300, 10 bars over
- Can be used at the end of the pipe (10 bars maxi) with a counter flange installed at the end of the valve

FLOW COEFFICIENT Kv (M3 / h) :

| DN | 40 | 50 | 65 | 80 | 100 | 125 | 150 | 200 | 250 | 300 | 350 | 400 | 450 | 500 | 600 | |
|---------------|-----|------|------|------|------|------|------|------|------|------|------|-------|-------|-------|-------|-------|
| Opening angle | 10° | 0,04 | 0,05 | 0,09 | 0,17 | 0,26 | 0,43 | 0,68 | 1,7 | 2,6 | 3,4 | 5,1 | 6,8 | 9,4 | 11,9 | 18,8 |
| | 20° | 2 | 3 | 5 | 8 | 15 | 25 | 38 | 76 | 129 | 200 | 288 | 396 | 525 | 675 | 1042 |
| | 30° | 5 | 6 | 10 | 15 | 31 | 52 | 81 | 160 | 273 | 422 | 610 | 839 | 1101 | 1428 | 2207 |
| | 40° | 10 | 13 | 21 | 33 | 67 | 113 | 175 | 348 | 592 | 914 | 1321 | 1817 | 2407 | 3095 | 4781 |
| | 50° | 18 | 23 | 38 | 60 | 119 | 202 | 312 | 620 | 1055 | 1630 | 2355 | 3239 | 4289 | 5515 | 8521 |
| | 60° | 30 | 38 | 64 | 99 | 196 | 334 | 516 | 1025 | 1746 | 2697 | 3897 | 5359 | 7097 | 9125 | 14098 |
| | 70° | 48 | 60 | 102 | 156 | 310 | 529 | 817 | 1623 | 2764 | 4269 | 6167 | 8481 | 11232 | 14442 | 22312 |
| | 80° | 72 | 90 | 152 | 235 | 466 | 793 | 1226 | 2434 | 4145 | 6403 | 9250 | 12720 | 16848 | 21662 | 33468 |
| | 90° | 78 | 98 | 167 | 258 | 512 | 872 | 1347 | 2675 | 4555 | 7037 | 10165 | 13799 | 18514 | 23805 | 36778 |

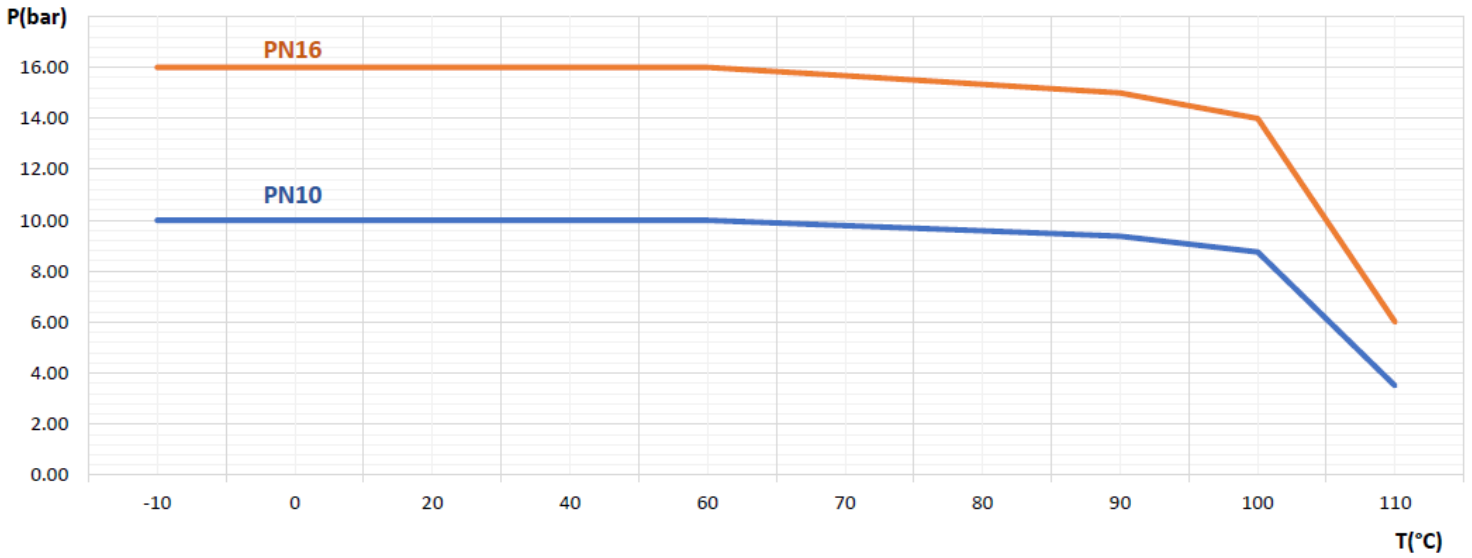
TORQUE VALUES (Nm, without safety coefficient) :

We recommend a safety coefficient of 30% minimum to determinate the actuator.

| DN | 40 | 50 | 65 | 80 | 100 | 125 | 150 | 200 | 250 | 300 | 350 | 400 | 450 | 500 | 600 |
|------|----|----|----|----|-----|-----|-----|-----|-----|-----|-----|-----|------|------|------|
| PN10 | 9 | 12 | 19 | 25 | 38 | 58 | 85 | 159 | 253 | 369 | 428 | 671 | 1001 | 1220 | 2221 |
| PN16 | 10 | 13 | 21 | 26 | 42 | 65 | 95 | 175 | 277 | 536 | - | - | - | - | - |

CONCENTRIC LUG BUTTERFLY VALVE INITIAL RANGE CAST IRON BODY WITH STAINLESS STEEL DISC AND EPDM SEAT

PRESSURE / TEMPERATURE GRAPH (STEAM EXCLUDED) :

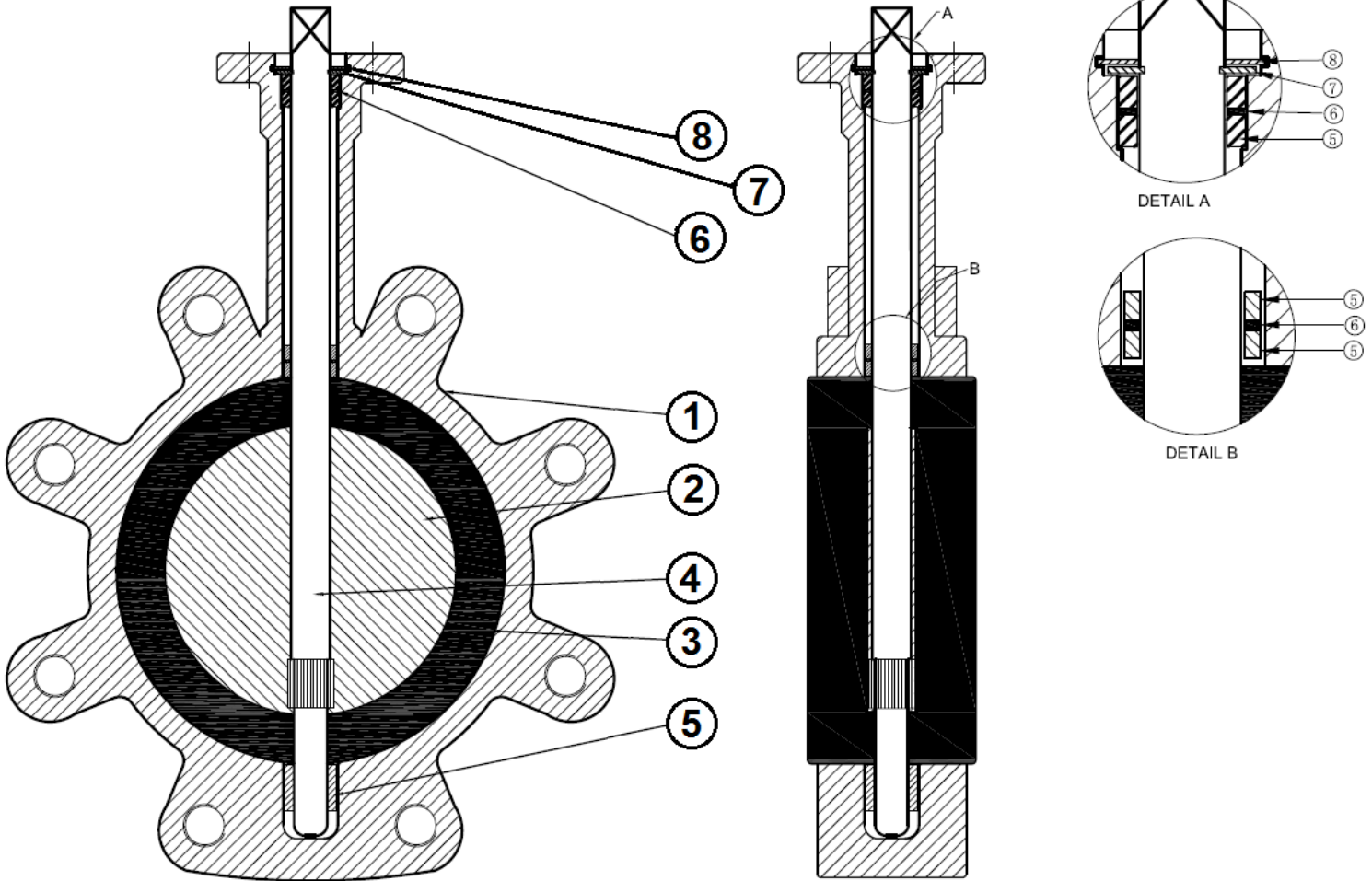


RANGE :

- With lever from DN40 to DN300
- With gearbox from DN350 to DN600
- Gearbox possible from DN40 to DN300 **Ref.1198**

CONCENTRIC LUG BUTTERFLY VALVE INITIAL RANGE CAST IRON BODY WITH STAINLESS STEEL DISC AND EPDM SEAT

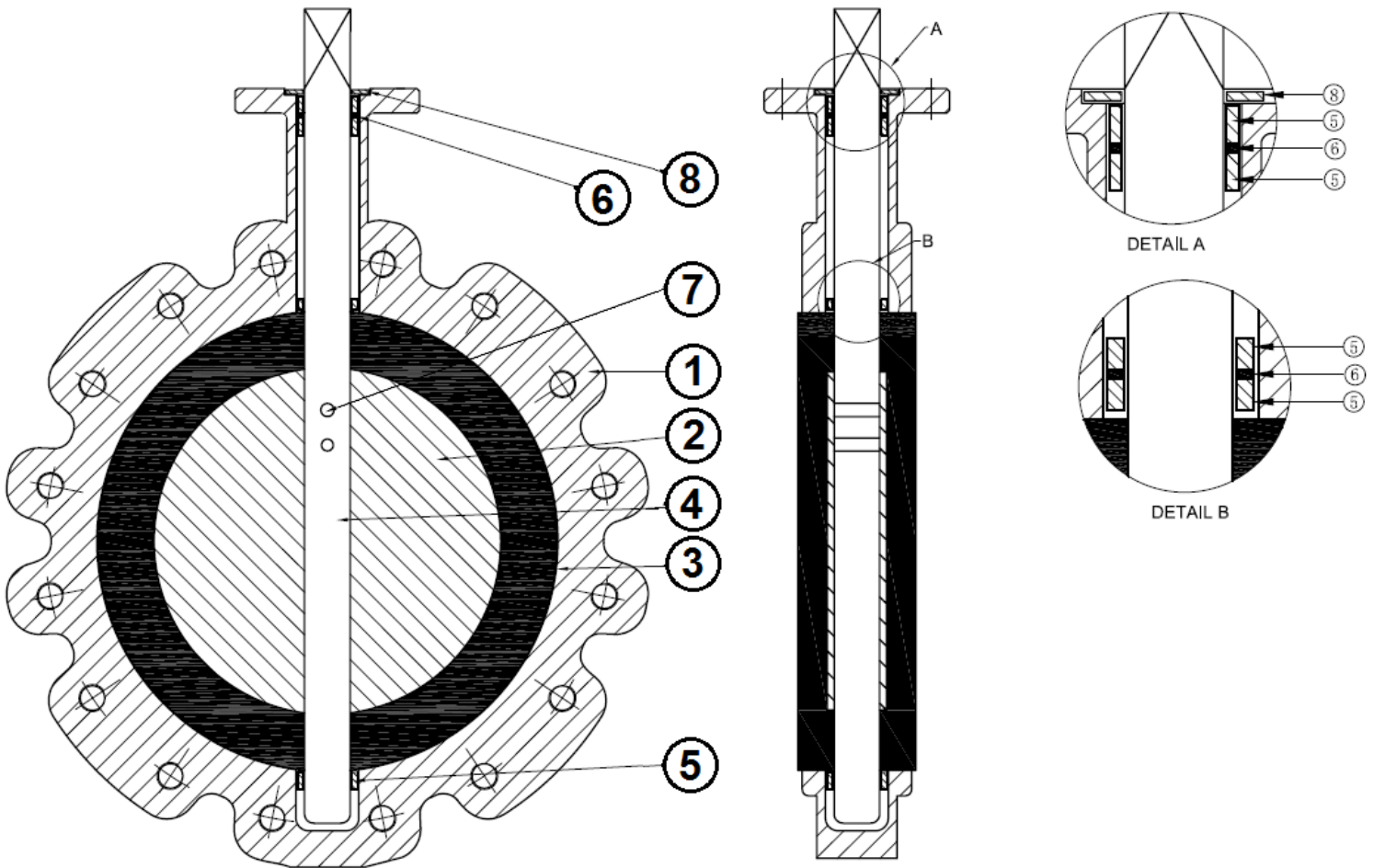
MATERIALS DN 40 – 300 :



| Item | Designation | Materials |
|------|-------------|----------------------|
| 1 | Body | Cast iron EN GJL-250 |
| 2 | Disc | ASTM A351 CF8M |
| 3 | Seat | EPDM |
| 4 | Stem | AISI 420 |
| 5 | Bushing | PTFE |
| 6 | O ring | EPDM |
| 7 | Circlip | Steel |
| 8 | Circlip | Steel |
| | Lever | Aluminium |

CONCENTRIC LUG BUTTERFLY VALVE INITIAL RANGE CAST IRON BODY WITH STAINLESS STEEL DISC AND EPDM SEAT

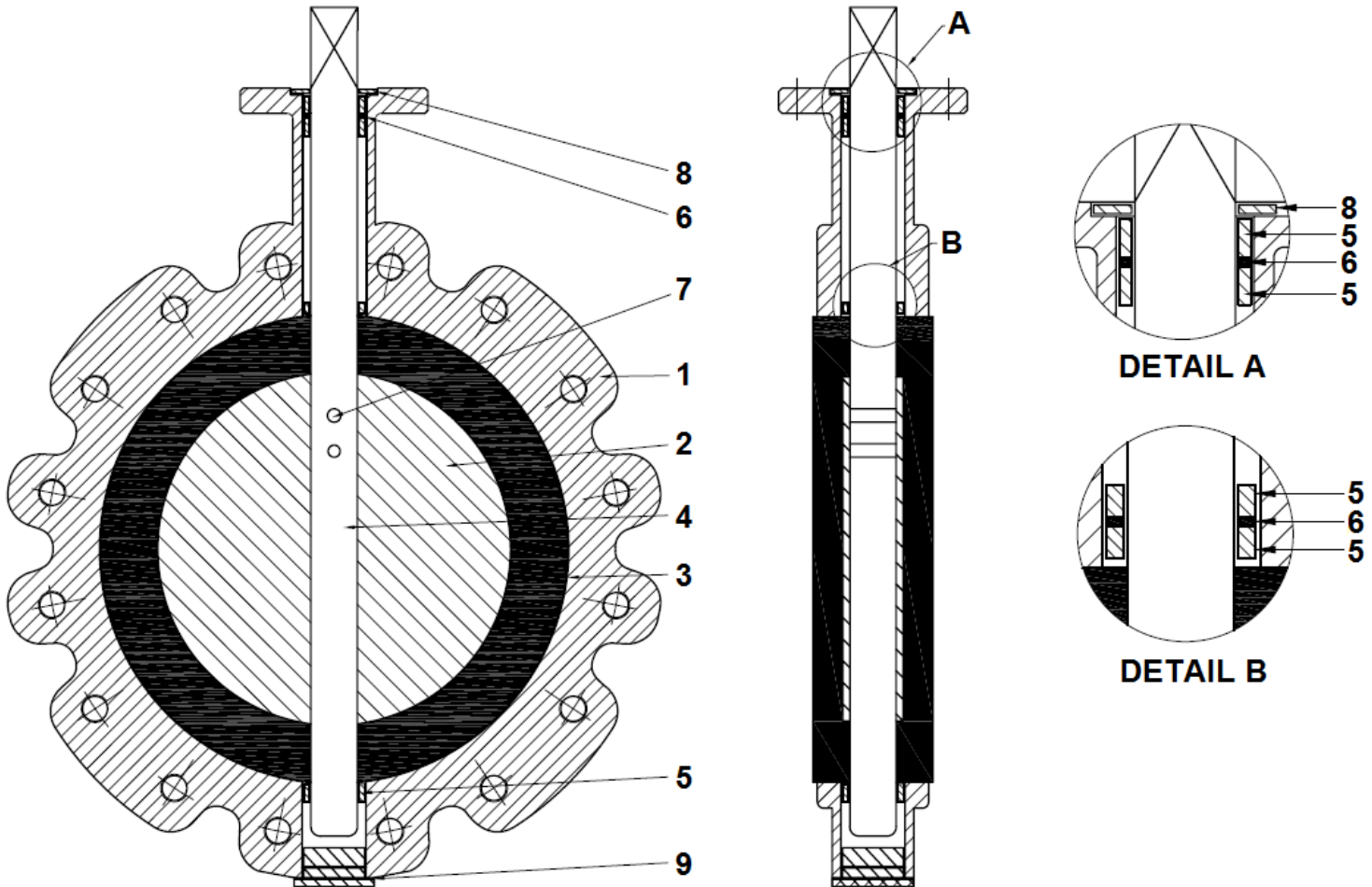
MATERIALS DN 350 :



| Item | Designation | Materials |
|------|-------------|----------------------|
| 1 | Body | Cast iron EN GJL-250 |
| 2 | Disc | ASTM A351 CF8M |
| 3 | Seat | EPDM |
| 4 | Stem | AISI 431 |
| 5 | Bushing | PTFE |
| 6 | O ring | EPDM |
| 7 | Pin | AISI 316 |
| 8 | Gasket | EPDM |

CONCENTRIC LUG BUTTERFLY VALVE INITIAL RANGE CAST IRON BODY WITH STAINLESS STEEL DISC AND EPDM SEAT

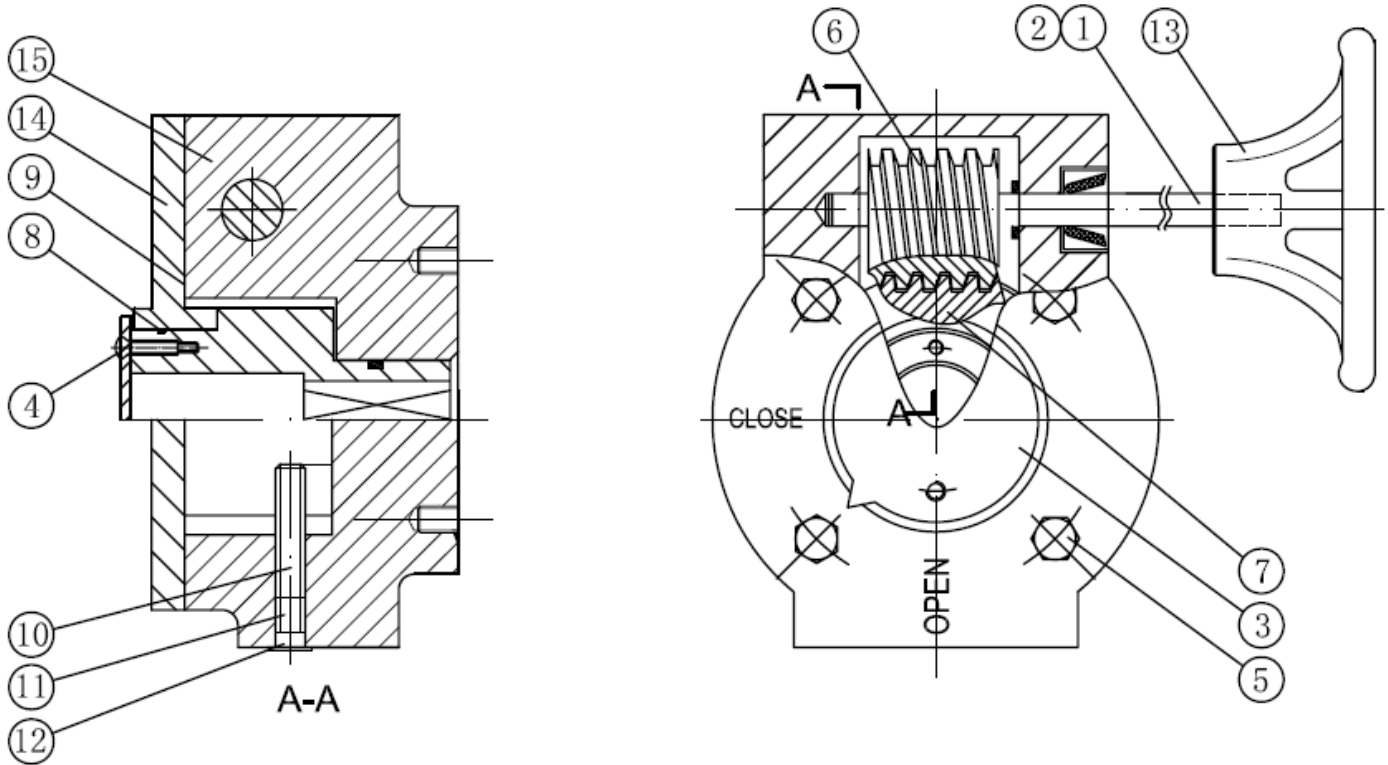
MATERIALS DN 400-600 :



| Item | Designation | Materials |
|------|-------------|----------------------|
| 1 | Body | Cast iron EN GJL-250 |
| 2 | Disc | ASTM A351 CF8M |
| 3 | Seat | EPDM |
| 4 | Stem | AISI 431 |
| 5 | Bushing | PTFE |
| 6 | O ring | EPDM |
| 7 | Pin | AISI 316 |
| 8 | Gasket | EPDM |
| 9 | Gasket | EPDM |

CONCENTRIC LUG BUTTERFLY VALVE INITIAL RANGE CAST IRON BODY WITH STAINLESS STEEL DISC AND EPDM SEAT

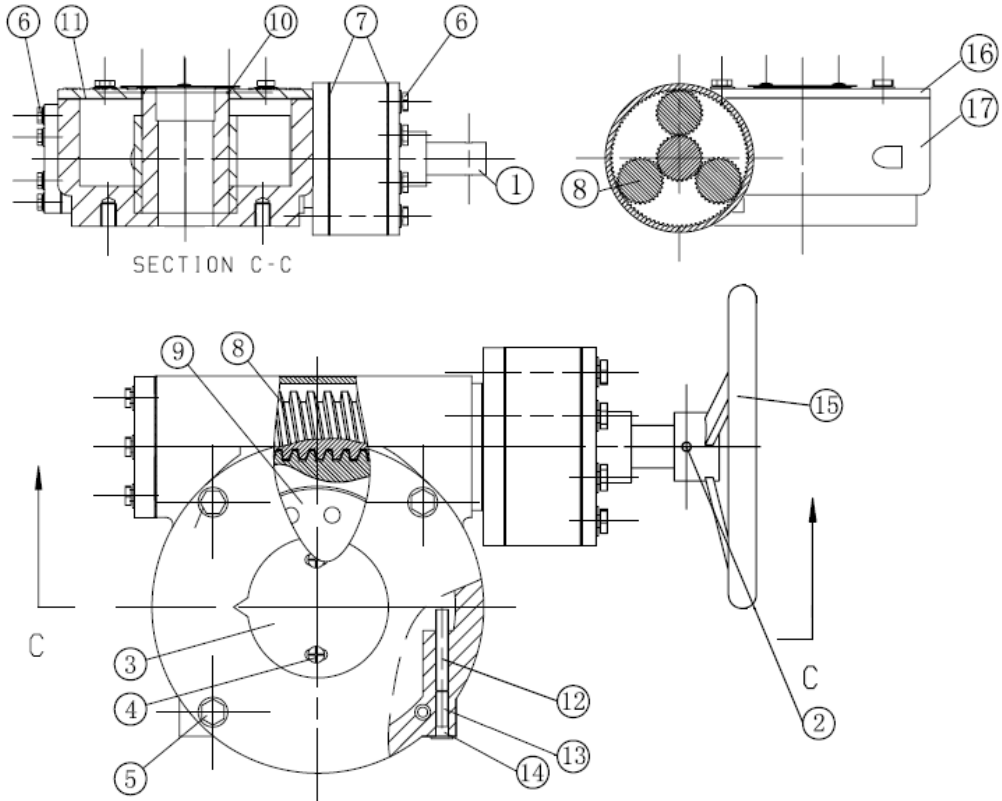
MATERIALS GEARBOX DN40-450 :



| Item | Designation | Materials |
|------|-------------------------|------------------------------------|
| 1 | Stem | Chromed steel |
| 2 | Pin | AISI 316 |
| 3 | Indicator plate | Aluminium + NBR gasket |
| 4 | Indicator bolt, washer | AISI 316 |
| 5 | Bolt, washer | AISI 316 |
| 6 | Gear 1 | Steel |
| 7 | Gear 2 | Ductile iron EN GJS-400-15 |
| 8 | O ring | NBR |
| 9 | Bonnet gasket | NBR |
| 10 | Internal set screw | Carbon steel |
| 11 | External set screw | AISI 316 |
| 12 | Plastic cap | Plastic |
| 13 | Handwheel | Cast iron EN GJL-250 epoxy coating |
| 14 | Bonnet | Cast iron EN GJL-250 epoxy coating |
| 15 | Body | Cast iron EN GJL-250 epoxy coating |
| | Bolting to fix on valve | AISI 304 |

CONCENTRIC LUG BUTTERFLY VALVE INITIAL RANGE CAST IRON BODY WITH STAINLESS STEEL DISC AND EPDM SEAT

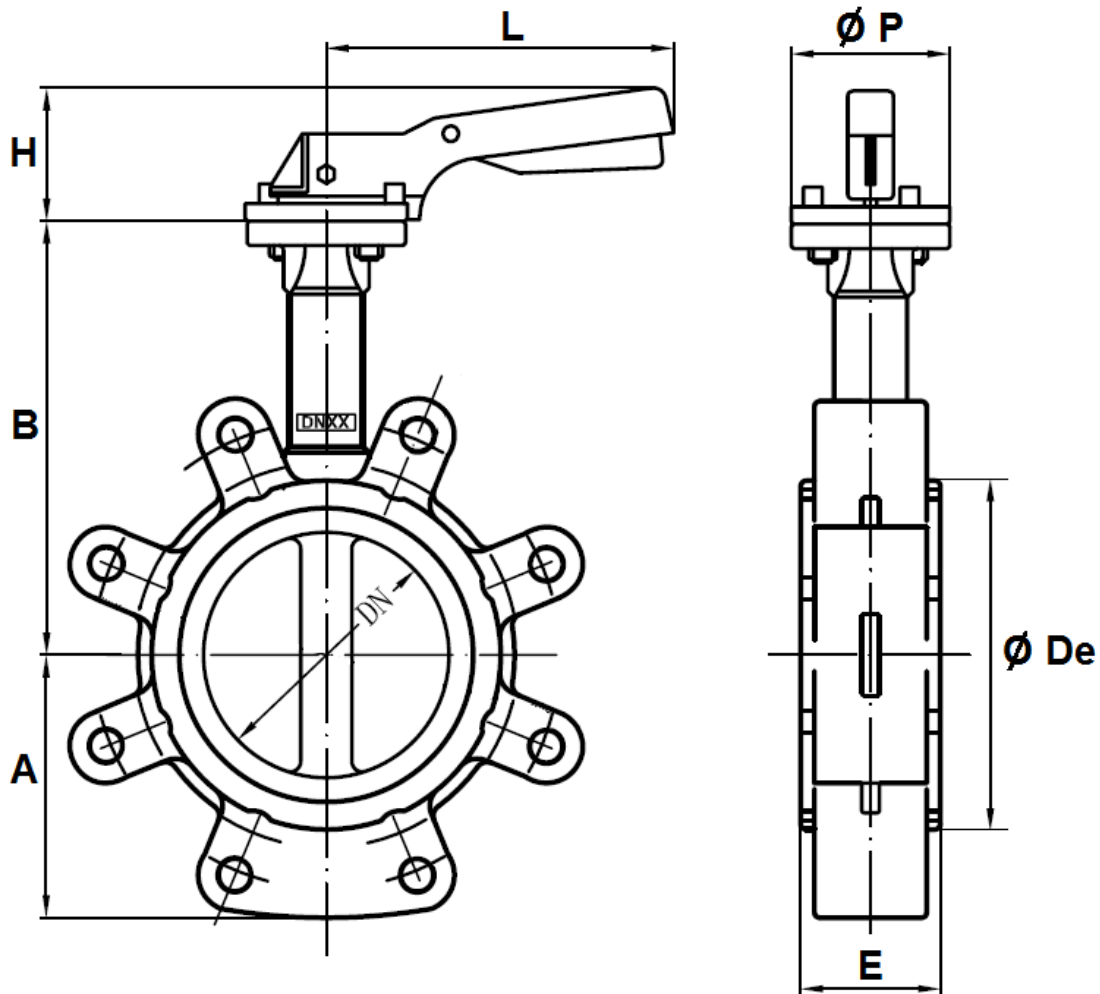
MATERIALS GEARBOX DN500-600 :



| Item | Designation | Materials |
|------|-------------------------|------------------------------------|
| 1 | Stem | Chromed steel |
| 2 | Pin | AISI 316 |
| 3 | Indicator plate | Aluminium + NBR gasket |
| 4 | Indicator bolt, washer | AISI 316 |
| 5 | Bolt, washer | AISI 316 |
| 6 | Bolting | AISI 316 |
| 7 | Body gasket | NBR |
| 8 | Gear 1 | Steel |
| 9 | Gear 2 | Ductile iron EN GJS-400-15 |
| 10 | O ring | NBR |
| 11 | Bonnet gasket | NBR |
| 12 | Internal set screw | Carbon steel |
| 13 | External set screw | AISI 316 |
| 14 | Plastic cap | Plastic |
| 15 | Handwheel | Cast iron EN GJL-250 epoxy coating |
| 16 | Bonnet | Cast iron EN GJL-250 epoxy coating |
| 17 | Body | Cast iron EN GJL-250 epoxy coating |
| | Bolting to fix on valve | AISI 304 |

CONCENTRIC LUG BUTTERFLY VALVE INITIAL RANGE CAST IRON BODY WITH STAINLESS STEEL DISC AND EPDM SEAT

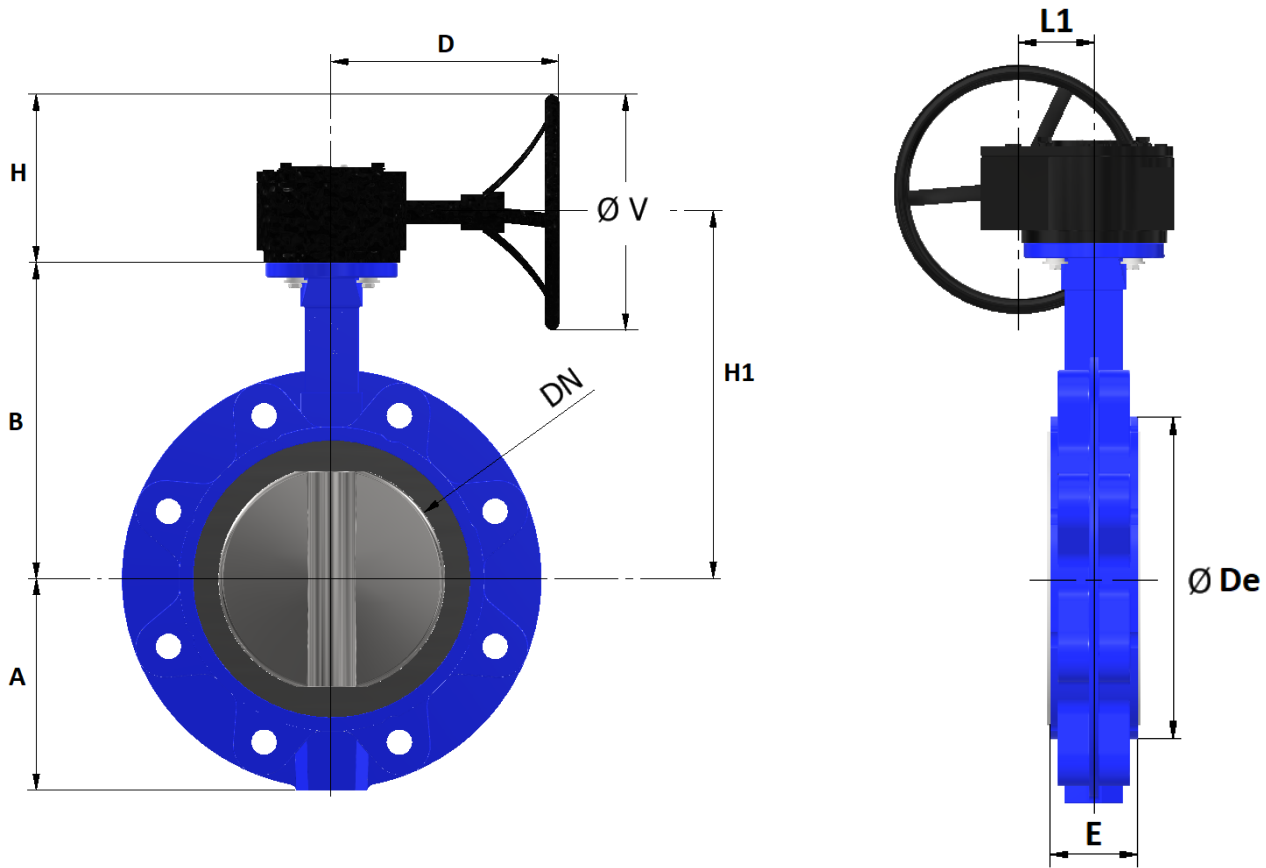
VALVES WITH LEVER SIZE DN 40 – 300 (in mm) :



| DN | 40 | 50 | 65 | 80 | 100 | 125 | 150 | 200 | 250 | 300 |
|------------|---------|---------|---------|---------|---------|---------|---------|-------------|-------------|-------------|
| A | 61 | 77 | 88 | 95 | 107 | 122 | 144 | 171 | 205 | 235 |
| B | 130 | 137 | 142 | 158 | 180 | 192 | 215 | 242 | 280 | 310 |
| Ø De | 82 | 95 | 109 | 127 | 152 | 180 | 207 | 260 | 315 | 370 |
| E | 33 | 43 | 46 | 46 | 52 | 56 | 56 | 60 | 68 | 78 |
| H | 70 | 70 | 70 | 70 | 70 | 71 | 71 | 40 | 44 | 44 |
| L | 195 | 195 | 195 | 195 | 195 | 278 | 278 | 355 | 507 | 507 |
| Ø P | 65 | 65 | 65 | 65 | 65 | 90 | 90 | 125 | 150 | 150 |
| Weig. (Kg) | 2.43 | 3.13 | 3.73 | 4.98 | 5.64 | 9.06 | 10.96 | 16.67 | 31.4 | 42 |
| Ref. | 1133040 | 1133050 | 1133065 | 1133080 | 1133100 | 1133125 | 1133150 | 1133200-201 | 1133250-251 | 1133300-301 |

CONCENTRIC LUG BUTTERFLY VALVE INITIAL RANGE CAST IRON BODY WITH STAINLESS STEEL DISC AND EPDM SEAT

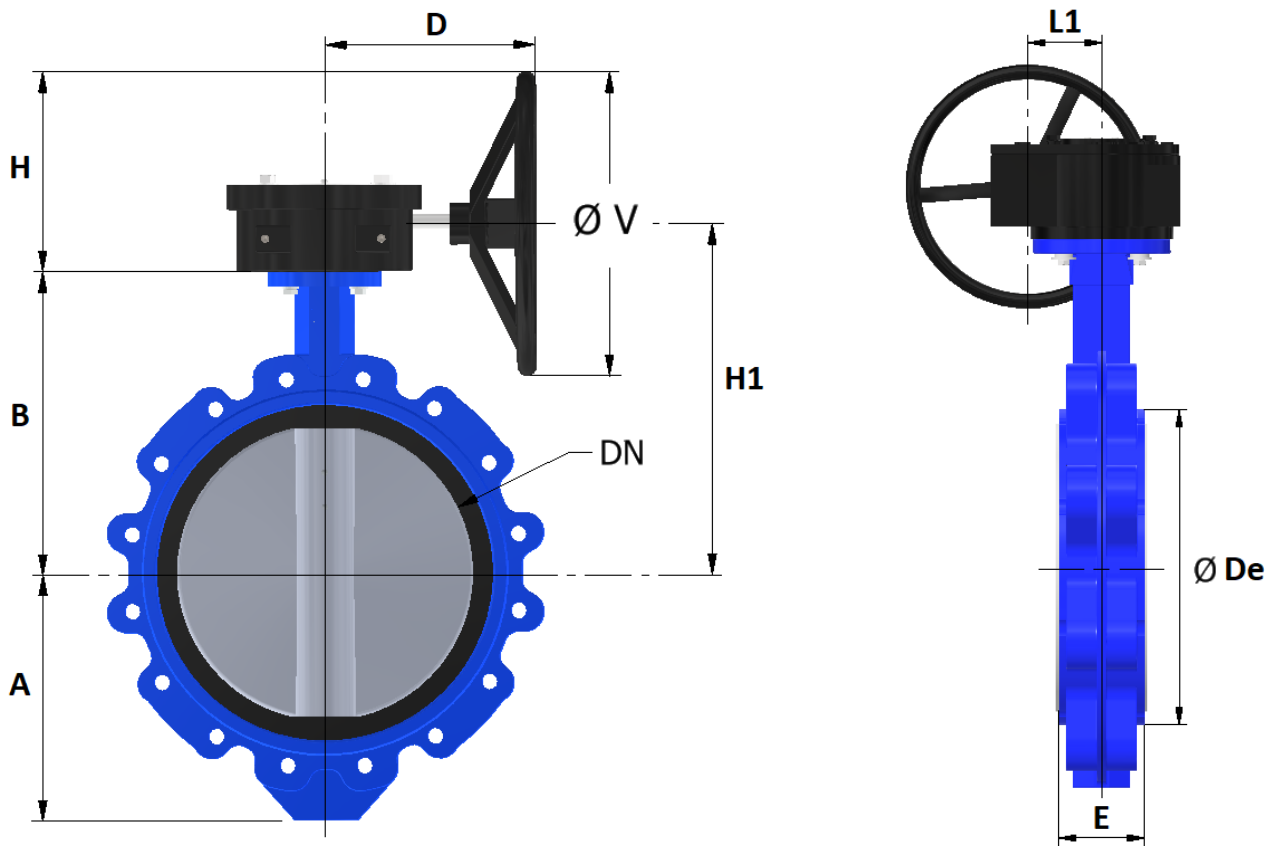
VALVES WITH GEARBOX SIZE DN 40 - 300 (in mm) :



| DN | 40 | 50 | 65 | 80 | 100 | 125 | 150 | 200 | 250 | 300 |
|------------|------|------|------|------|---------|---------|---------|-------------|-------------|-------------|
| A | 61 | 77 | 88 | 95 | 107 | 122 | 144 | 171 | 205 | 235 |
| B | 130 | 137 | 142 | 158 | 180 | 192 | 215 | 242 | 280 | 310 |
| D | 162 | | | | | | 224 | | 223 | |
| Ø De | 82 | 95 | 109 | 127 | 152 | 180 | 207 | 260 | 315 | 370 |
| E | 33 | 43 | 46 | 46 | 52 | 56 | 56 | 60 | 68 | 78 |
| H | 112 | | | | | 162 | | 191 | | 192 |
| H1 | 167 | 174 | 179 | 195 | 217 | 229 | 252 | 283 | 321 | 352 |
| L1 | 44 | | | | | | 66 | | 77 | |
| Ø V | 150 | | | | | 250 | | 300 | | |
| Weig. (Kg) | 5.68 | 6.28 | 6.76 | 8.49 | 9.86 | 12.59 | 14.49 | 23.66 | 36.42 | 51.6 |
| Ref. | | | | | 1133102 | 1133127 | 1133152 | 1133202-203 | 1133252-253 | 1133302-303 |

CONCENTRIC LUG BUTTERFLY VALVE INITIAL RANGE CAST IRON BODY WITH STAINLESS STEEL DISC AND EPDM SEAT

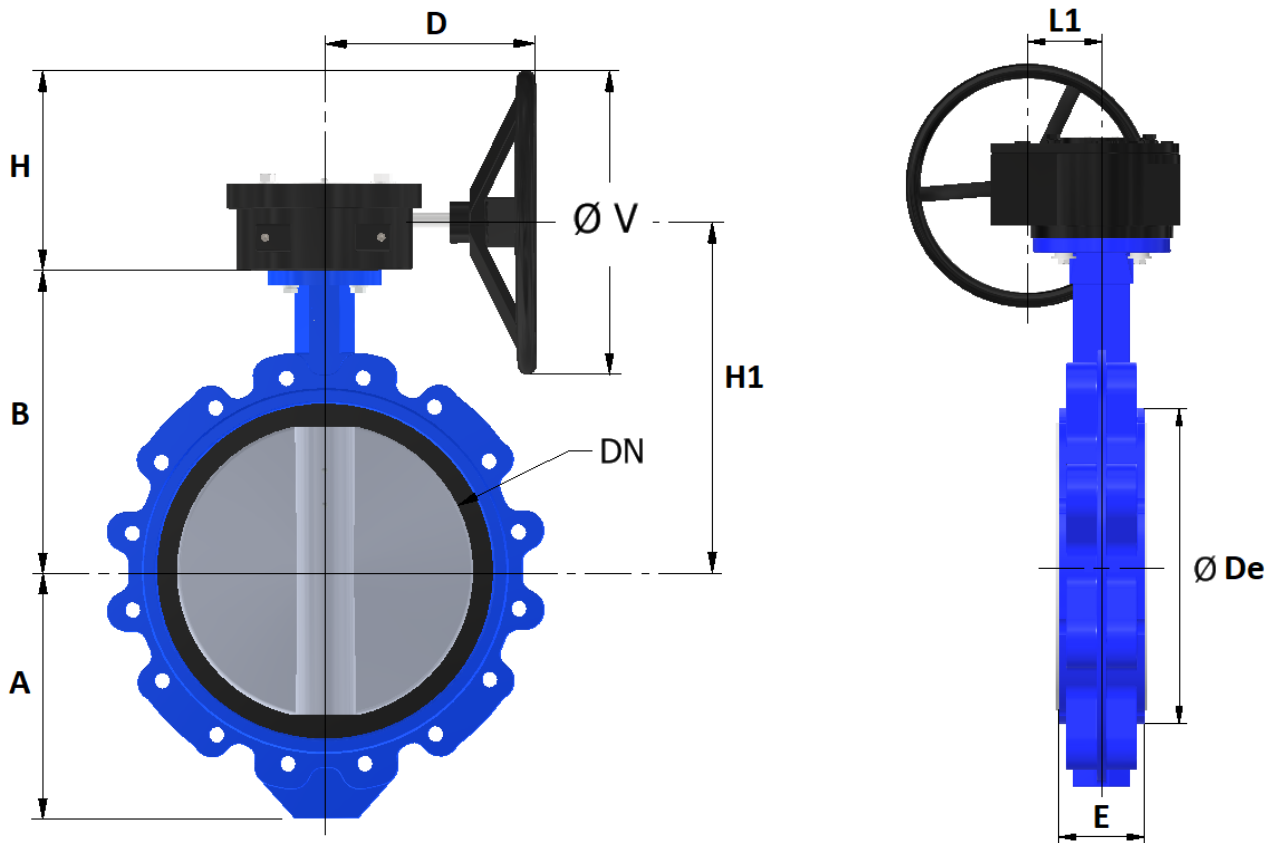
VALVES WITH GEARBOX SIZE DN 350 (in mm) :



| DN | 350 |
|---------------|---------|
| A | 266 |
| B | 367 |
| D | 223 |
| Ø De | 418 |
| E | 78 |
| H | 190 |
| H1 | 412 |
| L1 | 78 |
| Ø V | 300 |
| Weight (Kg) | 75.9 |
| Ref. | 1133350 |

CONCENTRIC LUG BUTTERFLY VALVE INITIAL RANGE CAST IRON BODY WITH STAINLESS STEEL DISC AND EPDM SEAT

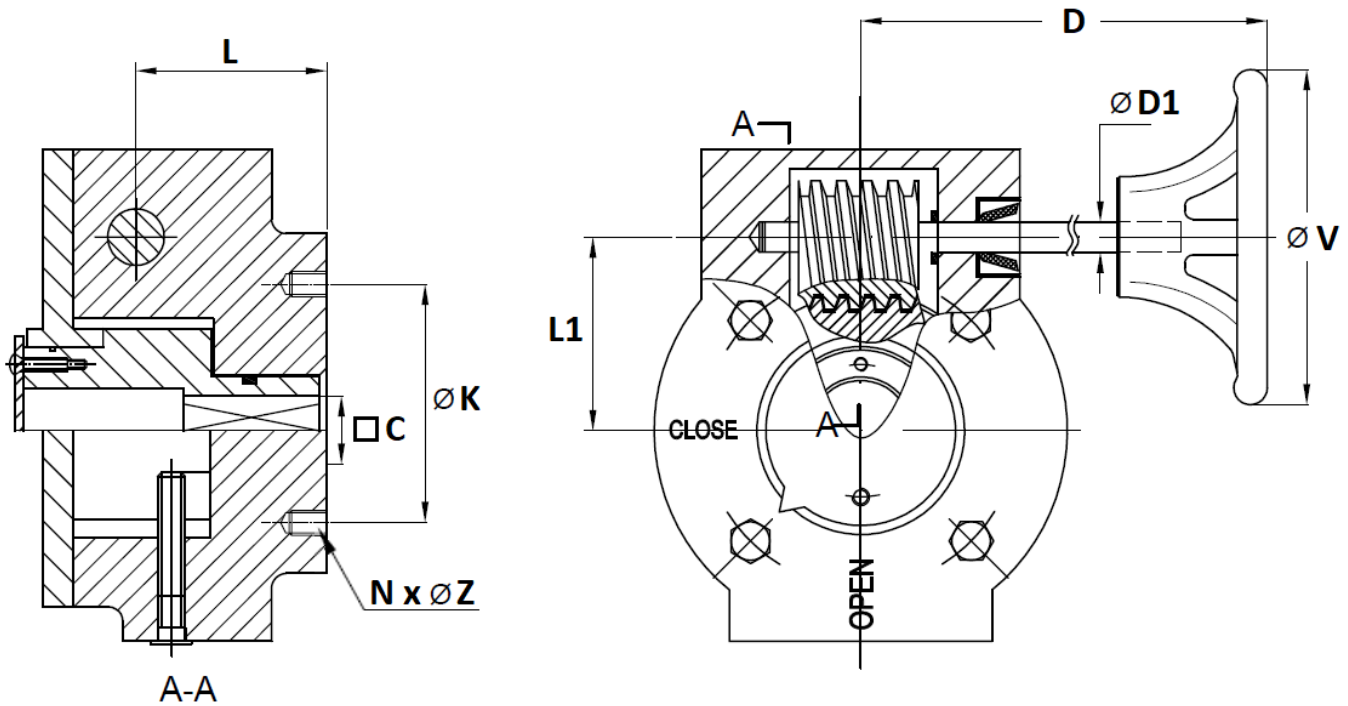
VALVES WITH GEARBOX SIZE DN 400-600 (in mm) :



| DN | 400 | 450 | 500 | 600 |
|---------------|---------|---------|---------|---------|
| A | 324 | 341 | 374 | 478 |
| B | 394 | 419 | 474 | 565 |
| D | 270 | 270 | 339 | 339 |
| Ø De | 470 | 525 | 570 | 697 |
| E | 102 | 114 | 127 | 154 |
| H | 208 | 258 | 222 | 222 |
| H1 | 456 | 481 | 539 | 630 |
| L1 | 120 | 120 | 120 | 120 |
| Ø V | 400 | 400 | 300 | 300 |
| Weight (Kg) | 115.5 | 147 | 202.8 | 309.8 |
| Ref. | 1133400 | 1133450 | 1133500 | 1133600 |

CONCENTRIC LUG BUTTERFLY VALVE INITIAL RANGE CAST IRON BODY WITH STAINLESS STEEL DISC AND EPDM SEAT

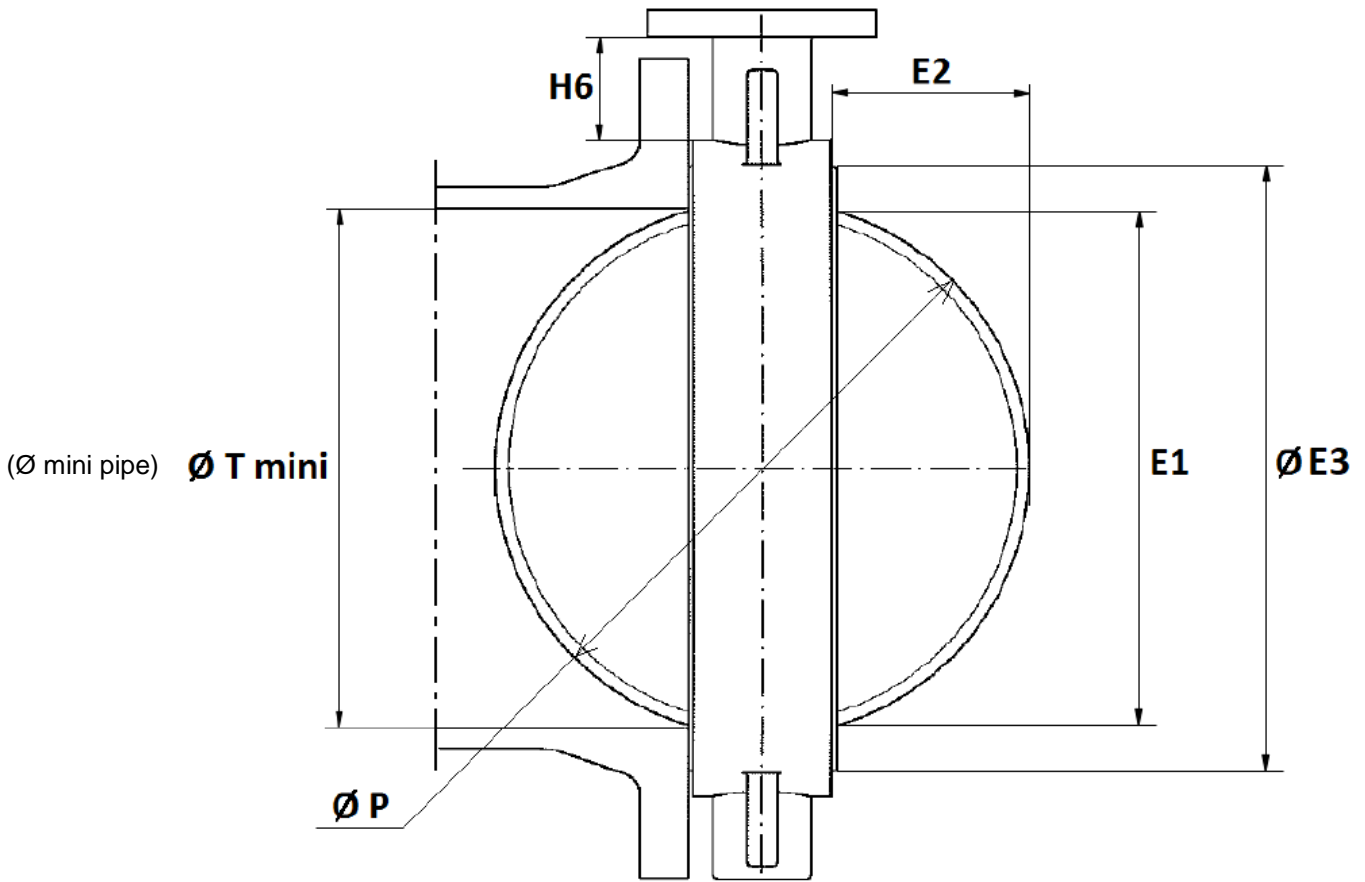
SIZE GEARBOX DN40-350 (in mm) :



| DN | 32/80 | 100 | 125/150 | 200 | 250 | 300-350 |
|-------------|---------|---------|---------|---------|---------|---------|
| C | 9 | 11 | 14 | 17 | 22 | 27 |
| Ø K | 50 | 50 | 70 | 102 | 125 | 125 |
| ISO | F05 | F05 | F07 | F10 | F12 | F12 |
| N x ØZ | 4 x M6 | 4 x M6 | 4 x M8 | 4 x M10 | 4 x M12 | 4 x M12 |
| L | 37 | | | 41 | | 42 |
| D | 162 | | | 224 | | 223 |
| L1 | 44 | | | 66 | | 77 |
| Ø D1 | 16 | | | 19 | | |
| Ø V | 150 | | 250 | 300 | | |
| Weight (kg) | 3.51 | 4.22 | 3.53 | 6.99 | 7.42 | 9.6 |
| Ref. | 1198001 | 1198002 | 1198003 | 1198004 | 1198005 | 1198006 |

CONCENTRIC LUG BUTTERFLY VALVE INITIAL RANGE CAST IRON BODY WITH STAINLESS STEEL DISC AND EPDM SEAT

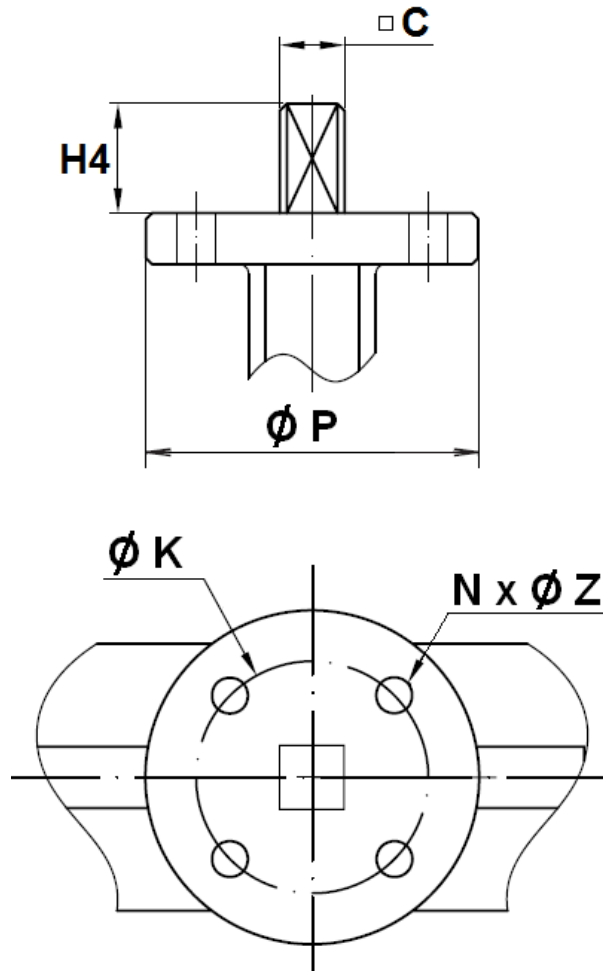
DISC AND NECK SIZE (in mm) :



| DN | 40 | 50 | 65 | 80 | 100 | 125 | 150 | 200 | 250 | 300 | 350 | 400 | 450 | 500 | 600 |
|----------|------|-------|-------|-------|--------|--------|--------|-------|-------|-------|-------|-------|-------|-------|-------|
| E1 | 37.7 | 47.06 | 59.81 | 75.56 | 98.37 | 117.02 | 147.65 | 195.3 | 242.5 | 292.6 | 325.4 | 379.8 | 429 | 480.2 | 580.5 |
| E2 | 4.9 | 5 | 9.4 | 16.5 | 26.1 | 33.9 | 49.7 | 71.2 | 91.2 | 111.8 | 127.8 | 143.9 | 163.3 | 182.3 | 219.3 |
| Ø E3 ±2 | 70 | 76 | 90 | 104 | 135 | 159 | 188 | 238 | 292 | 344 | 375 | 439 | 490 | 535 | 654 |
| H6 ±2 | 76.7 | 79 | 79 | 87.5 | 92.3 | 90.3 | 99.2 | 99.5 | 103.8 | 105.8 | 105.8 | 109.5 | 113 | 172 | 192 |
| Ø P | 42.8 | 53 | 64.8 | 79.1 | 104.25 | 123.8 | 155.4 | 202.4 | 250.5 | 301.6 | 333.7 | 389.8 | 440.7 | 491.8 | 592.7 |
| Ø T mini | 43 | 53 | 65 | 79.5 | 104.5 | 124 | 155.5 | 202.5 | 250.5 | 302 | 334 | 390 | 441 | 492 | 593 |

CONCENTRIC LUG BUTTERFLY VALVE INITIAL RANGE CAST IRON BODY WITH STAINLESS STEEL DISC AND EPDM SEAT

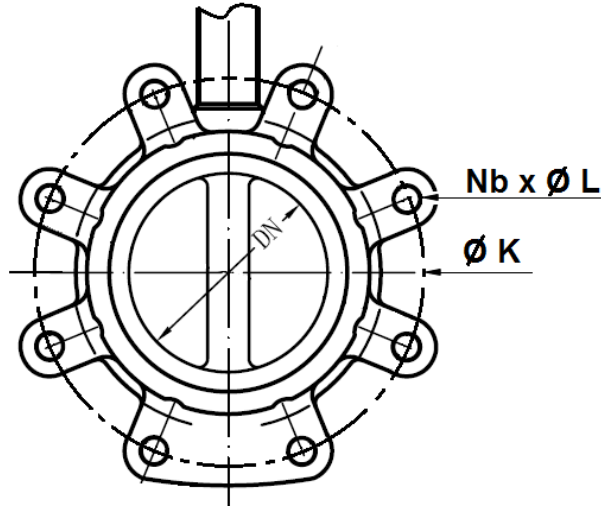
ISO 5211 MOUNTING PAD (in mm) :



| DN | 40 | 50 | 65 | 80 | 100 | 125 | 150 | 200 | 250 | 300 | 350 | 400 | 450 | 500 | 600 |
|-------|-------|-------|-------|-------|-------|-------|-------|--------|--------|--------|--------|--------|--------|--------|--------|
| C | 9 | 9 | 9 | 9 | 11 | 14 | 14 | 17 | 22 | 27 | 27 | 27 | 30 | 36 | 46 |
| Ø K | 50 | 50 | 50 | 50 | 50 | 70 | 70 | 102 | 125 | 125 | 125 | 125 | 165 | 165 | 165 |
| ISO | F05 | F05 | F05 | F05 | F05 | F07 | F07 | F10 | F12 | F12 | F12 | F12 | F16 | F16 | F16 |
| Nx ØZ | 4 x 7 | 4 x 7 | 4 x 7 | 4 x 7 | 4 x 7 | 4 x 9 | 4 x 9 | 4 x 11 | 4 x 13 | 4 x 13 | 4 x 14 | 4 x 14 | 4 x 22 | 4 x 22 | 4 x 22 |
| H4 | 32 | 32 | 32 | 32 | 32 | 42 | 42 | 36 | 38 | 38 | 45 | 50 | 50 | 65 | 70 |
| Ø P | 65 | 65 | 65 | 65 | 65 | 90 | 90 | 125 | 150 | 150 | 150 | 150 | 210 | 210 | 300 |

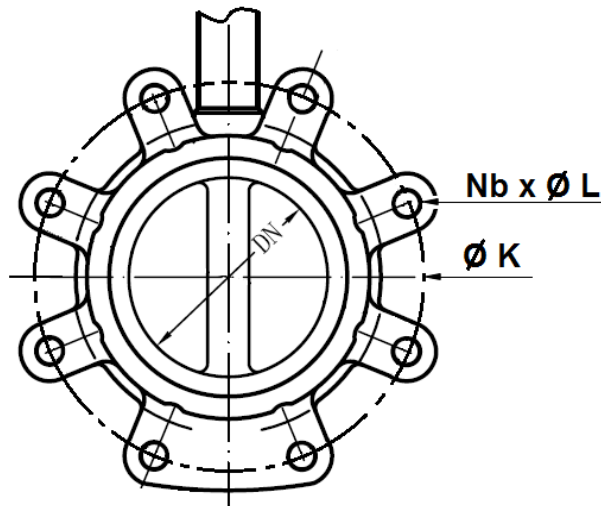
CONCENTRIC LUG BUTTERFLY VALVE INITIAL RANGE CAST IRON BODY WITH STAINLESS STEEL DISC AND EPDM SEAT

FLANGES LUG SIZE PN10/16 (in mm) :



| DN | 40 | 50 | 65 | 80 | 100 | 125 | 150 |
|---------|---------|---------|---------|---------|---------------------|---------------------|---------------------|
| Ø K | 110 | 125 | 145 | 160 | 180 | 210 | 240 |
| Nb x ØL | 4 x M16 | 4 x M16 | 4 x M16 | 8 x M16 | 8 x M16 | 8 x M16 | 8 x M20 |
| Ref. | 1133040 | 1133050 | 1133065 | 1133080 | 1133100 and 1133102 | 1133125 and 1133127 | 1133150 and 1133152 |

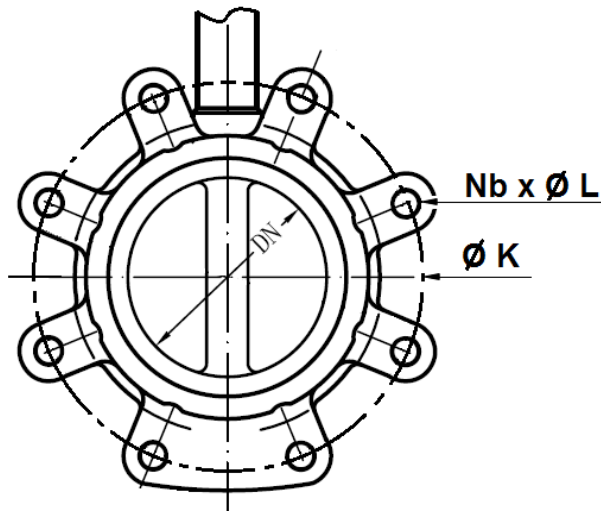
FLANGES LUG SIZE PN10 (in mm) :



| DN | 200 | 250 | 300 | 350 | 400 | 450 | 500 | 600 |
|---------|---------------------|---------------------|---------------------|----------|----------|----------|----------|----------|
| Ø K | 295 | 350 | 400 | 460 | 515 | 565 | 620 | 725 |
| Nb x ØL | 8 x M20 | 12 x M20 | 12 x M20 | 16 x M20 | 16 x M24 | 20 x M24 | 20 x M24 | 20 x M27 |
| Ref. | 1133200 and 1133202 | 1133250 and 1133252 | 1133300 and 1133302 | 1133350 | 1133400 | 1133450 | 1133500 | 1133600 |

CONCENTRIC LUG BUTTERFLY VALVE INITIAL RANGE CAST IRON BODY WITH STAINLESS STEEL DISC AND EPDM SEAT

FLANGES LUG SIZE PN16 (in mm) :



| DN | 200 | 250 | 300 | 350 | 400 | 450 | 500 | 600 |
|---------|---------------------|---------------------|---------------------|----------|----------|----------|----------|----------|
| Ø K | 295 | 355 | 410 | 470 | 525 | 585 | 650 | 770 |
| Nb x ØL | 12 x M20 | 12 x M24 | 12 x M24 | 16 x M24 | 16 x M27 | 20 x M27 | 20 x M30 | 20 x M33 |
| Ref. | 1133201 and 1133203 | 1133251 and 1133253 | 1133301 and 1133303 | 1133351 | 1133401 | 1133451 | 1133501 | 1133601 |



**CONCENTRIC LUG BUTTERFLY VALVE INITIAL RANGE CAST IRON BODY WITH STAINLESS
STEEL DISC AND EPDM SEAT**

GEARBOX SPECIFICATIONS :

| DN | 32/80 | 100 | 125/150 | 200 | 250 | 300-350 |
|--------------------|---------|---------|---------|---------|---------|---------|
| Ref. | 1198001 | 1198002 | 1198003 | 1198004 | 1198005 | 1198006 |
| Ratio factor | 24 :1 | 24 :1 | 24 :1 | 30 :1 | 30 :1 | 50 :1 |
| Input torque (Nm) | 18 | 18 | 18 | 58 | 58 | 60 |
| Output torque (Nm) | 170 | 170 | 170 | 700 | 700 | 1200 |

| DN | 400 | 450 | 500 | 600 |
|--------------------|-------|-------|--------|--------|
| Ratio factor | 80 :1 | 80 :1 | 260 :1 | 300 :1 |
| Input torque (Nm) | 78 | 78 | 30 | 45 |
| Output torque (Nm) | 2500 | 2500 | 2500 | 4000 |



**CONCENTRIC LUG BUTTERFLY VALVE INITIAL RANGE CAST IRON BODY WITH STAINLESS
STEEL DISC AND EPDM SEAT**

STANDARDS :

- Manufacturer certified ISO 9001 : 2015
- Designing according to API 609
- DIRECTIVE 2014/68/EU: For liquids and gas of Group 1
 - DN32-50: Risk Category I, CE marking
 - DN65-200: Risk Category II, CE 0035 marking
 - DN250-300: Risk Category III, CE 0035 marking
 - DN350: Risk Category II, CE 0035 marking
 - DN400-600: Risk Category III, CE 0035 marking
- Certificate 3.1 on request
- Pressure tests according to API 598, table 6
- Length according to ISO 5752 series 20, EN 558 series 20 (NF 29305)
- ISO 5211 mounting pad
- Between flanges according to EN 1092-1 PN10/16
- Valves according to LR Rules and Regulation for the classification of Ships, July 2018 (Type Approval Certificate) **Marine LLOYD'S REGISTER**. Marine and offshore subject to the valves complying LR Rules and Regulations for the particular services.
 - API 607 - 2016
 - ISO 19921:2005
 - GB/T 22218 - 2008

ADVICE : Our opinion and our advice are not guaranteed and SFERACO shall not be liable for the consequences of damages. The customer must check the right choice of the products with the real service conditions.