



**Valve Regulated Sealed Lead Acid AGM Battery 12V14Ah**

**VIS-12-14**

**Characteristics**

Nominal Voltage		12V
Nominal Capacity (20 hour rate)		14Ah
Capacity 25°C (77°F)	20 hour rate (0.7A)	14Ah
	10 hour rate (1.33A)	13.3Ah
	5 hour rate (2.38A)	11.9Ah
	1 hour rate (9.1A)	9.1Ah
Internal Resistance	Full Charged Battery 25°C (77°F)	≤20m Ω
Cyclic Life	50% (C <sub>20</sub> ) Depth of discharge	700Times
Float Life	25°C (77°F) Float charge at 13.8V	About 6 Years
Capacity affected by Temperature (20 hour)	40°C (104°F)	102%
	25°C (77°F)	100%
	0°C (32°F)	85%
	-15°C (5°F)	65%
Self-Discharge 25°C (77°F)	Capacity after 3 month storage	90%
	Capacity after 6 month storage	80%
	Capacity after 12 month storage	62%
Charge (Constant Voltage) 25°C (77°F)	Cycle	Initial Charging Current Less than 4.2A Voltage 14.6-15.0V
	Float	Voltage 13.5-13.8V

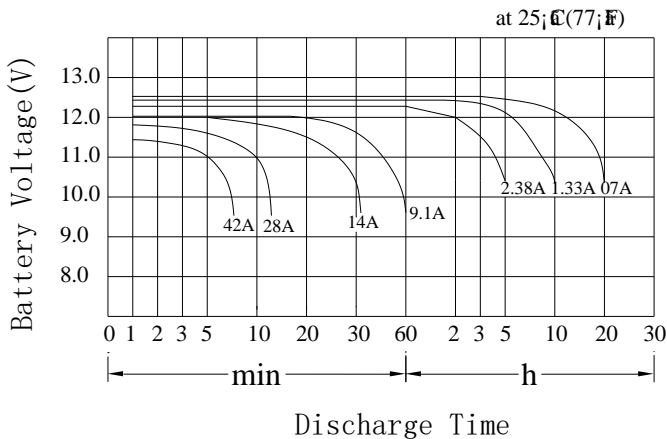
**Product Image**



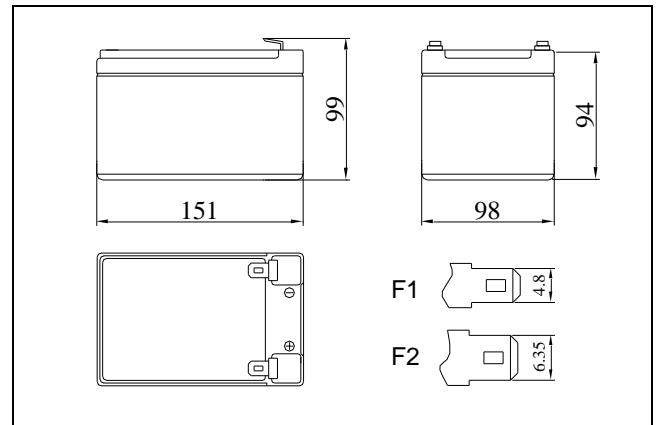
**Packing**

Battery (L×W×H)	mm ± 1	151*98*94*99
	inch	5.94×3.86×3.70×3.90
Box (L×W×H)	mm ± 2	320×220×122
	inch	12.6×8.67×4.81
Quantity Per Box		4 PCS
Net weight Per Cell		3.35 Kg ± 50g
Net weight Per Box		13.40 Kg
Gross Weight		13.70 Kg

**Discharge Curve**



**Product Dimensions**



**Battery Construction**

Component	Positive plate	Negative plate	Container	Safety valve	Terminal	Separator	Electrolyte
Raw Material	Lead dioxide	Lead	ABS	Rubber	Copper	Fiberglass	Sulfuric acid

**Discharge Characteristics- Constant Power Discharge Characteristics (W) 25°C/77°F**

Voltage	Run Time											
	3 min	5 min	15 min	30 min	45 min	1h	2h	3h	5h	8h	10h	20h
9.6 V	604	534	309	188	131	104.9	56.5	41.1	27.9	18.3	15.3	8.32
10.2V	545	489	279	173	127	103.1	55.5	40.6	27.5	18.3	15.3	8.32
10.5V	454	428	264	162	126	101.6	54.8	40.0	27.5	18.1	15.2	8.14
10.8V	422	383	247	140	125	100.0	53.2	39.0	27.3	18.1	14.8	7.98