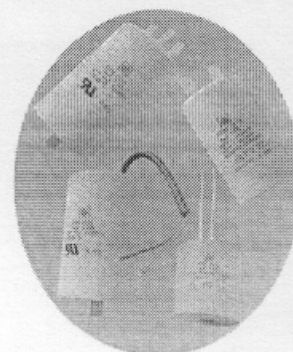


## Motor Running Capacitors Type KNM 31xx (Safety class PO)

### Design

Motor running capacitors type **KNM 31xx** are made of metallized polypropylene film. Case and cover are made with self-extinguishing plastic material, the capacitive element is sealed with polyurethane resin. Leads are designed as soldering tags, single or double fast-on tags, two-wire cable or stranded wire.



### Technical data

Rated voltage  $U_n$ : as per table

Rated capacitance  $C_n$ : as per table

Capacitance tolerance:  $\pm 10\%$  ( $\pm 5\%$  on request)

Rated frequency  $f_n$ : 50 to 60 Hz

Loss angle  $\tan \delta$ :  $\max. 10 \times 10^{-4}$  at  $U_n$  and 50 Hz

Test voltage terminal to terminal:  $2 \times U_n$ , 50 Hz, 2 s

Test voltage terminal to case:

2400 V, 50 Hz, 2 s

Class of operation:

as per table

Climate class:

according to EN 60252

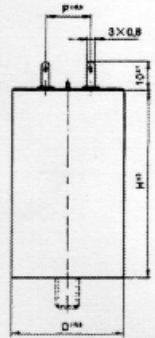
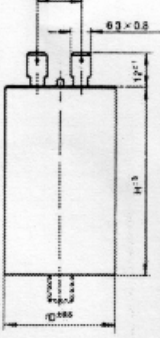

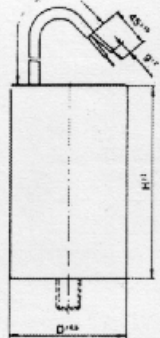
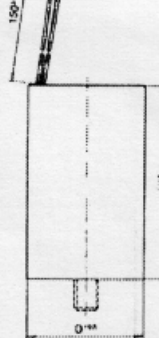





Temperature range:

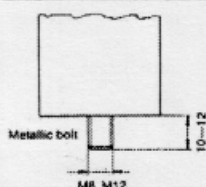
$-25^\circ\text{C}$  to  $+85^\circ\text{C}$

Compliance with standards:

EN 60252, UL 810



### Standard designs of capacitors type KNM 31xx

With bolt	KNM 3111	KNM 3117	KNM 3115	KNM 3138	KNM 3126
Without bolt	KNM 3110	KNM 3116	KNM 3114	KNM 3137	KNM 3125
					
					
	Soldering tags P = 10 mm (D = 25 mm) P = 13.5 mm (D = 30 to 65 mm)	Single tags P = 10 mm (D = 25 mm) P = 13.5 mm (D = 30 to 65 mm)	Double tags P = 17.5 mm (D = 30 to 65 mm)	Two-wire cable 2 x 0.75 mm <sup>2</sup> (D = 25 to 65 mm) Protection degree IP 55	Stranded wire 0.75 mm <sup>2</sup> with insulation (D = 25 to 65 mm) Protection degree IP 55



M6 x 10	D = 25 to 65 mm
M12 x 12	D = 55 to 65 mm

**Standard values and dimensions of capacitors type KNM 31xx**

Capacitance ( $\mu\text{F}$ )	Approvals	 PO EN 60252		 UL 810
	Voltage	400 V AC	450 V AC	240 V AC
	Climate class	50/60 Hz 30000h	50/60 Hz 10000h	50/60 Hz -25/85°C
	D x H (mm)	25/85/21	25/85/21	
1	25 x 57	•	•	•
1,25	25 x 57	•	•	•
1,5	25 x 57	•	•	•
2	25 x 57	•	•	•
2,5	25 x 57	•	•	•
3	25 x 57	•	•	•
3,15	30 x 57	•	•	•
3,5	30 x 57	•	•	•
4	30 x 57	•	•	•
4,5	30 x 57	•	•	•
5	30 x 57	•	•	•
5,5	35 x 57	•	•	•
6	35 x 57	•	•	•
6,3	35 x 57	•	•	•
6,8	35 x 57	•	•	•
7	35 x 57	•	•	•
7,5	35 x 57	•	•	•
8	35 x 57	•	•	•
9	35 x 71	•	•	•
10	35 x 71	•	•	•
11	35 x 71	•	•	•
12	35 x 71	•	•	•
12,5	40 x 71	•	•	•
13	40 x 71	•	•	•
14	40 x 71	•	•	•
15	40 x 71	•	•	•
16	40 x 71	•	•	•
17	45 x 71	•	•	•
17,5	45 x 71	•	•	•
18	45 x 71	•	•	•
20	45 x 71	•	•	•
22	40 x 95	•	•	•
25	40 x 95	•	•	•
30	45 x 95		•	•
31,5	45 x 95		•	•
35	45 x 120			•
36	45 x 120			•
40	45 x 120			•
45	45 x 120			•
50	50 x 120			•
55	50 x 120			•
60	55 x 120			•
65	55 x 120			•
70	55 x 120			•
75	60 x 120			•
80	60 x 120			•
90	65 x 120			•
100	65 x 120			•

• - Approved