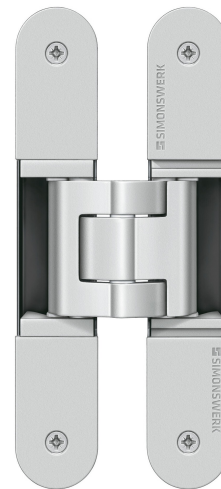


# TE 340 3D

for unrebated residential and heavy-duty doors



## Product features

- completely concealed hinge system
- for timber, steel or aluminium frames
- for unrebated residential and heavy-duty doors
- sideways closed hinge body for a homogeneous mortise appearance
- with comfortable 3D adjustment (side +/- 3,0 mm, height +/- 3,0 mm, compression +/- 1,0 mm)
- maintenance-free slide bearings

## Technical details

Attributes	Value
Load capacity	80,0 kg
Overall length	160,0 mm
Width (door part)	28,0 mm
Width (frame part)	28,0 mm
Cutter diameter	24,0 mm
Opening angle	180°

## Note

The load capacity mentioned above refers to the use of 2 hinges

## Quality marks



Certification CE



Certification IFT



Certification UL

Certification ANSI



EXOVA Warringtonfire

## Classification key

3	7	4	1	1	* <sub>6</sub>	0	11
---	---	---	---	---	----------------	---	----

<sup>6</sup> depending on the finish

## TECTUS - TE 340 3D

per door leaf (1 x 2 m), for detailed information please look at the chapter "technical information".

With an opening position of 180° the door may have to be fixed additionally.

### Suitable for

Universal milling frame

Template 5 250693 5

Template 5 250694 5

step 1

step 2

### Combinations

TE 340 3D FZ/1

TE 340 3D SZ

TE 340 3D ST

### Function range



burglar resistance



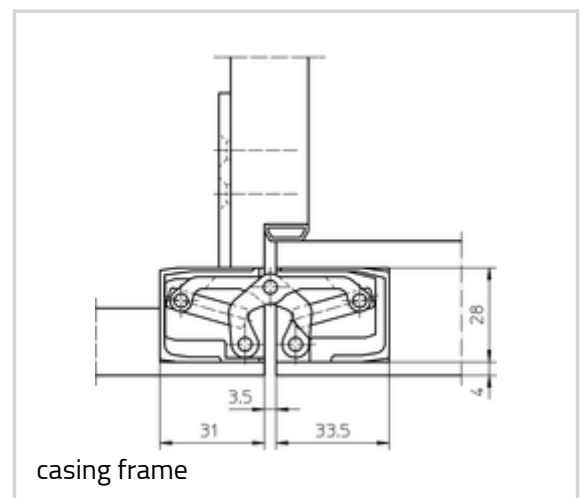
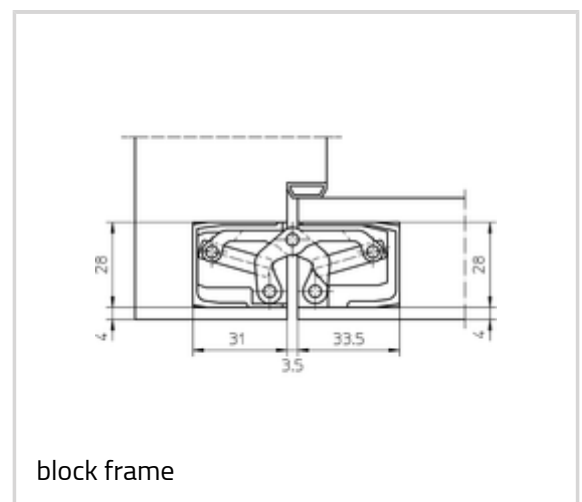
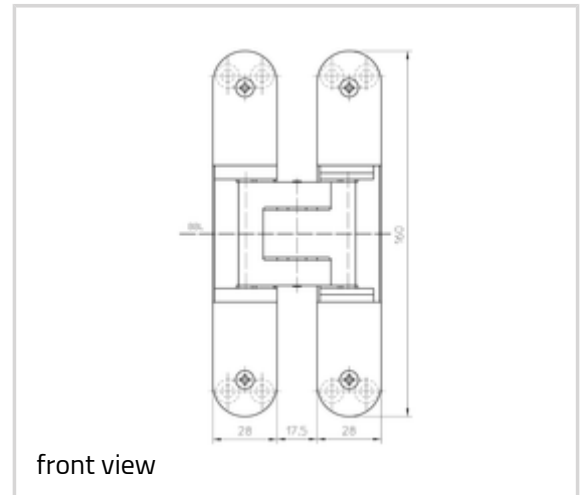
fire resistance



smoke resistance

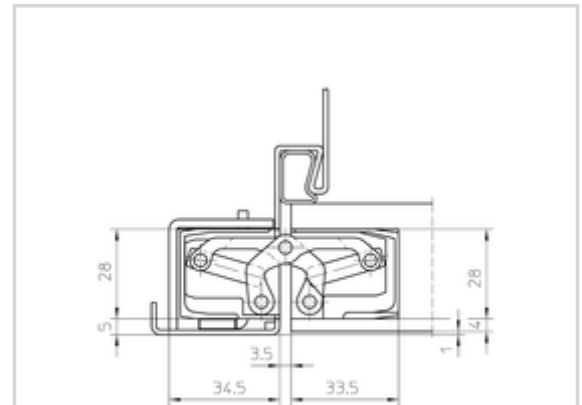
### Item

Finish(es)	030-polished brassed
OF-NR.	030
VPE	pack of 2
DIN	DIN right and left hand
Item No.	5 400605 0 03002
EAN	4015471106553
Finish(es)	038-polished nickelled
OF-NR.	038
VPE	pack of 2
DIN	DIN right and left hand
Item No.	5 400605 0 03802
EAN	4015471106577
Finish(es)	070-RAL 9016 Traffic

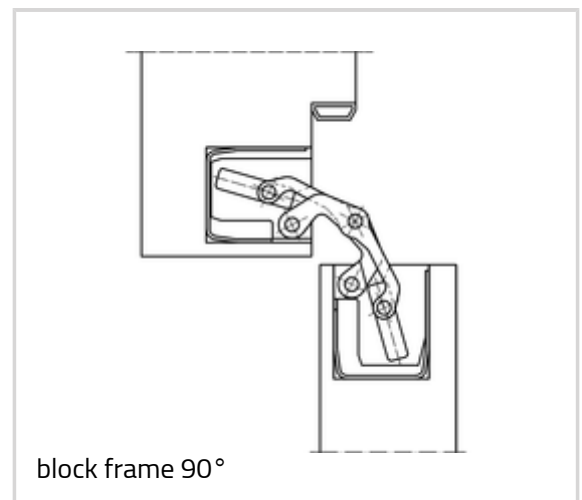


**TECTUS - TE 340 3D**

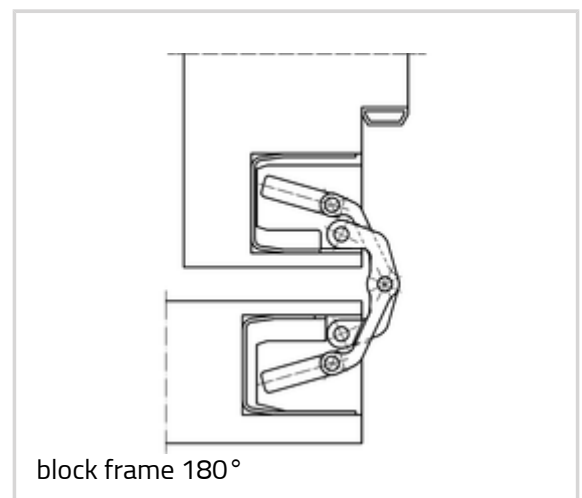
OF-NR.	White
VPE	070
DIN	pack of 2
Item No.	DIN right and left hand
EAN	5 400605 0 07002
	4015471106584
Finish(es)	107-RAL 9005 Matte Deep Black
OF-NR.	107
VPE	pack of 2
DIN	DIN right and left hand
Item No.	5 400605 0 10702
EAN	4015471106607
Finish(es)	124-Satin Chrome Look (F1)
OF-NR.	124
VPE	pack of 2
DIN	DIN right and left hand
Item No.	5 400605 0 12402
EAN	4015471106614
Finish(es)	125-Satin Nickel Look (F2)
OF-NR.	125
VPE	pack of 2
DIN	DIN right and left hand
Item No.	5 400605 0 12502
EAN	4015471106638
Finish(es)	126-Stainless Steel Look (SSL)
OF-NR.	126
VPE	pack of 2
DIN	DIN right and left hand
Item No.	5 400605 0 12602
EAN	4015471106652
Finish(es)	144-Satin Nickel
OF-NR.	144
VPE	pack of 2
DIN	DIN right and left hand
Item No.	5 400605 0 14402
EAN	4015471106669



steel frame



block frame 90°



block frame 180°

**TECTUS - TE 340 3D**

Finish(es)	146-Satin Chrome
OF-NR.	146
VPE	pack of 2
DIN	DIN right and left hand
Item No.	5 400605 0 14602
EAN	4015471109592
Finish(es)	156-Rustic Umber
OF-NR.	156
VPE	pack of 2
DIN	DIN right and left hand
Item No.	5 400605 0 15602
EAN	4015471106676
Finish(es)	168-Bronze Metallic
OF-NR.	168
VPE	pack of 2
DIN	DIN right and left hand
Item No.	5 400605 0 16802
EAN	4015471106683
Finish(es)	174-Bronze Finish
OF-NR.	174
VPE	pack of 2
DIN	DIN right and left hand
Item No.	5 400605 0 17402
EAN	4015471114190
Finish(es)	175-Bronze Finish light
OF-NR.	175
VPE	pack of 2
DIN	DIN right and left hand
Item No.	5 400605 0 17502
EAN	4015471114206
Finish(es)	176-Bronze Finish dark
OF-NR.	176
VPE	pack of 2
DIN	DIN right and left hand
Item No.	5 400605 0 17602
EAN	4015471114213
Finish(es)	079-coloured
OF-NR.	079

---

**TECTUS - TE 340 3D**

VPE	EUR-pallet
DIN	DIN right and left hand
Item No.	5 400605 0 07975
EAN	4015471123888