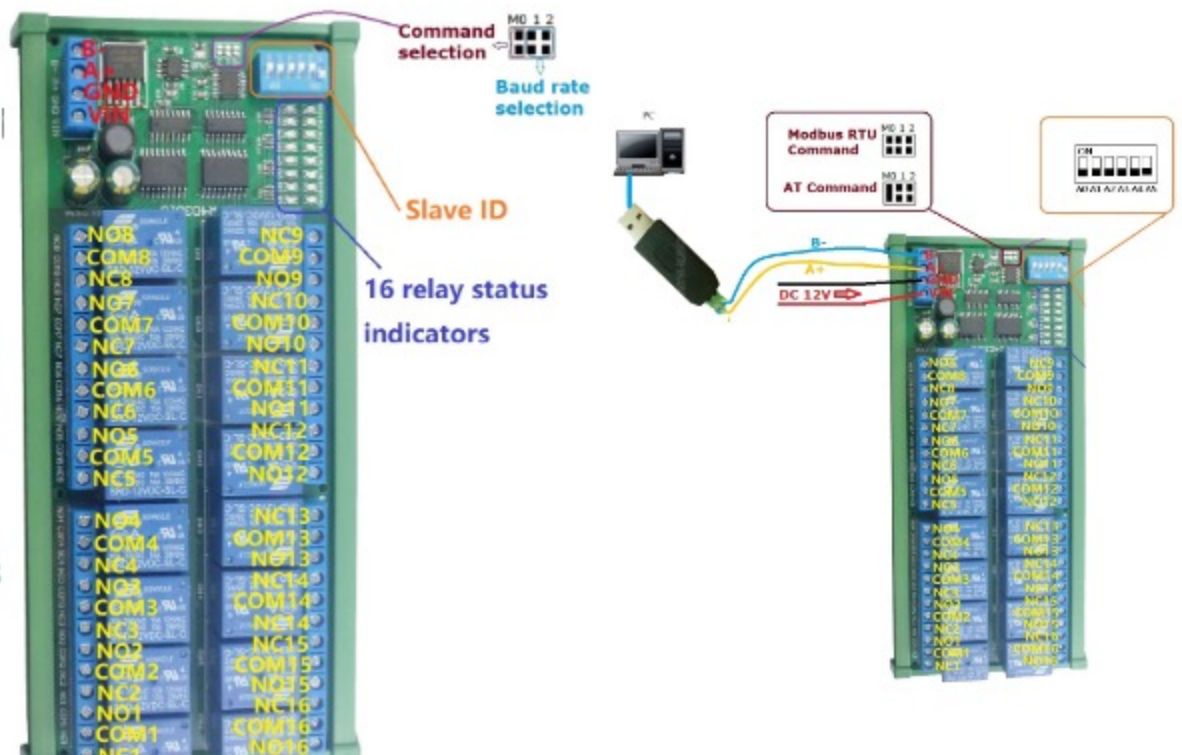
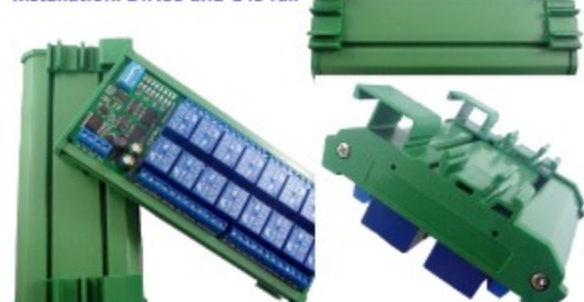
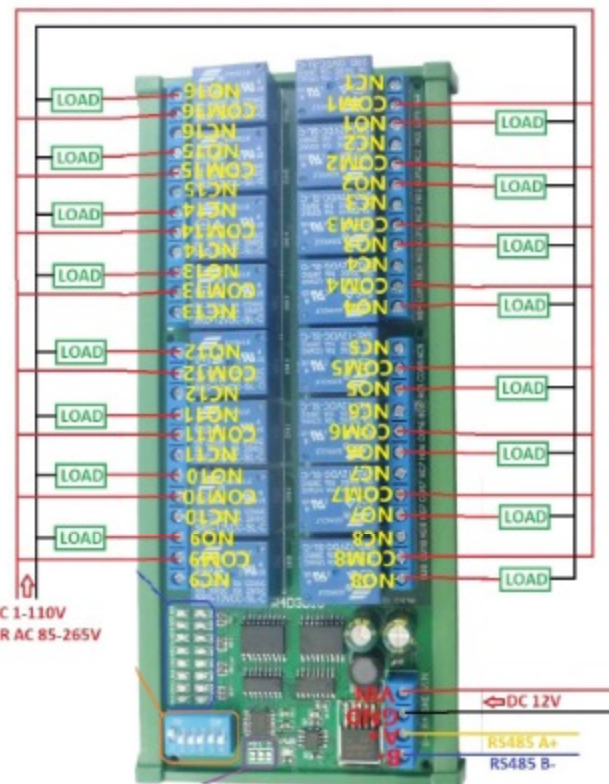
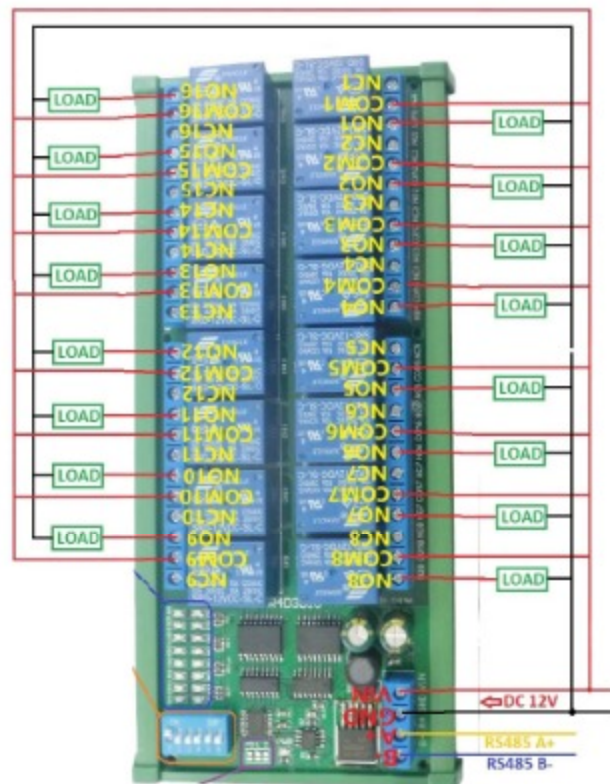
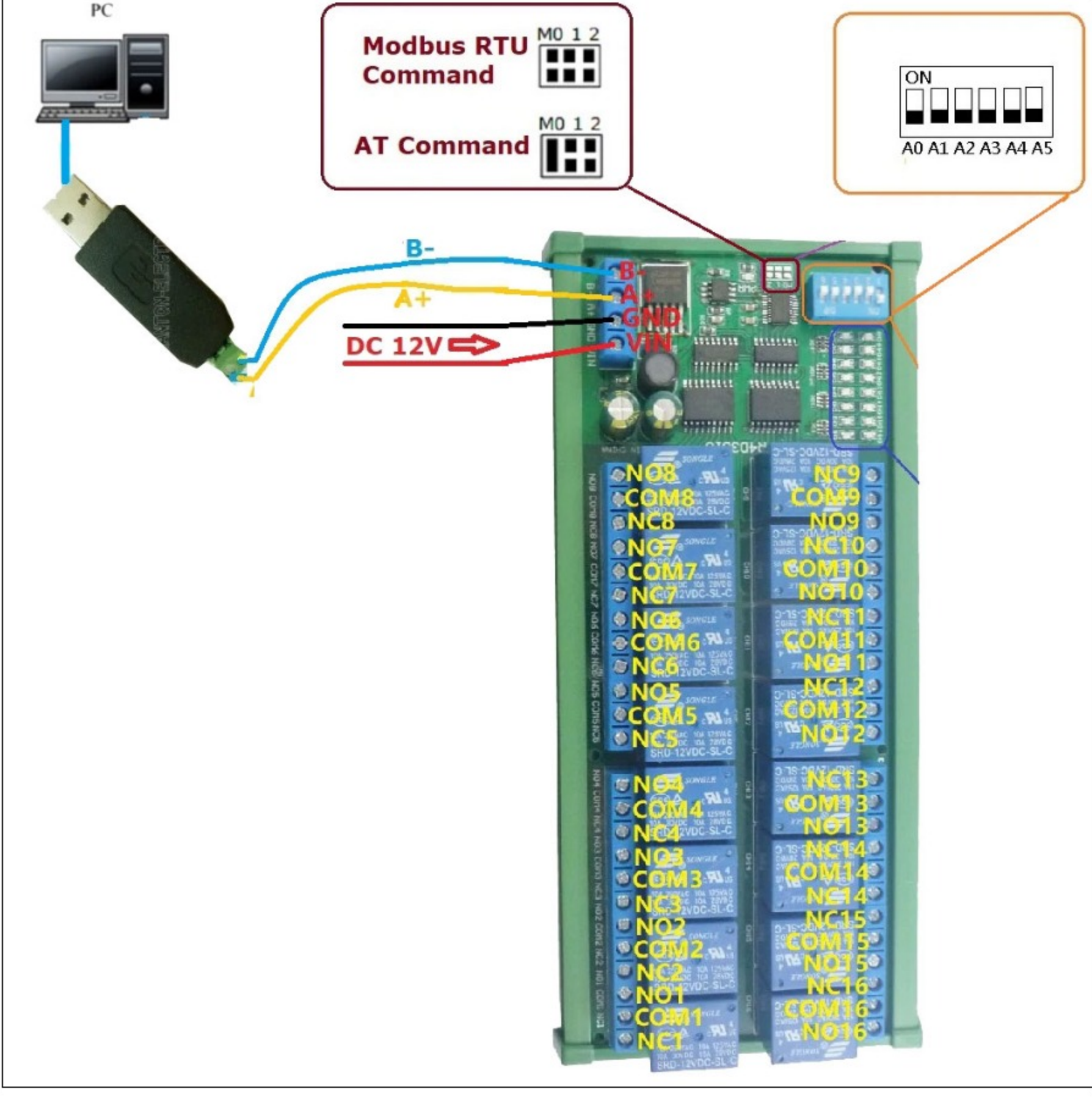
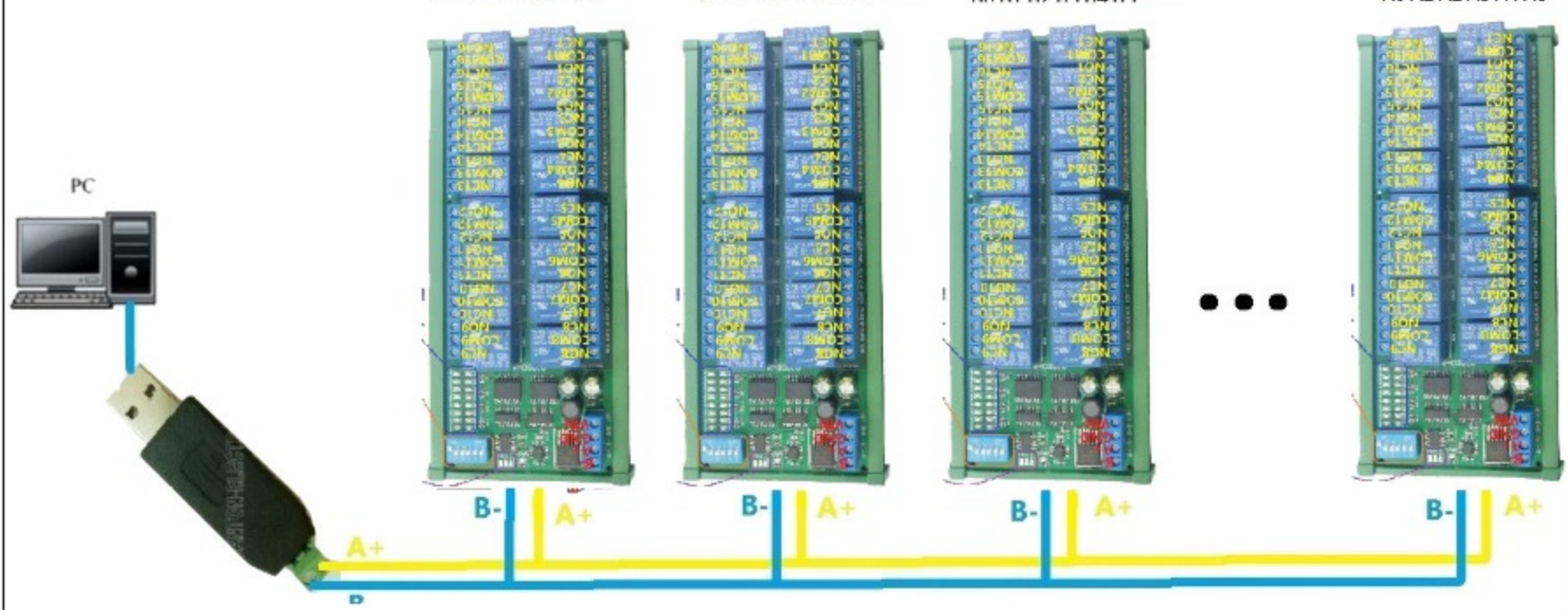


DIN rail Box parameters:
 Product model: UM72
 Color: green
 Width: suitable for PCB board width UM72 (72mm)
 Insulation grade: flame-retardant VO grade
 Backplane length: suitable for 18cm PCB boards
 Net weight: 128g
 Installation: DIN35 and C45 rail



Modbus Command , Up to 64 devices



Test Software(We offer a demo video):
 Serial HyperTerminal:

