



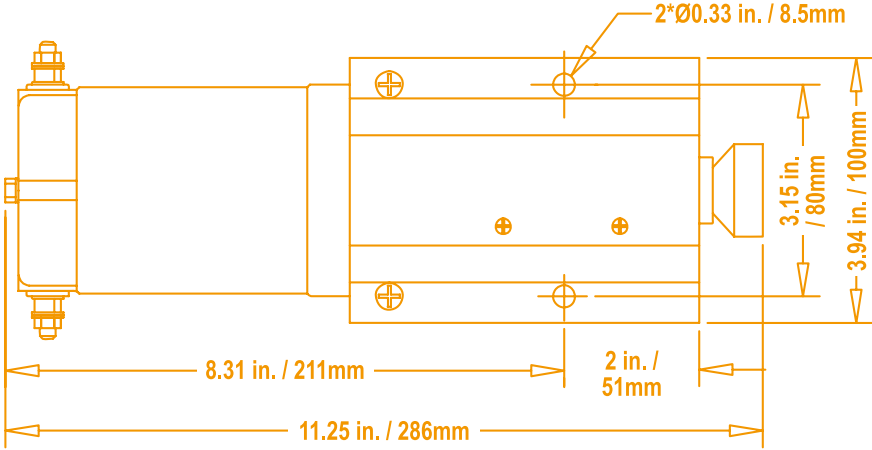
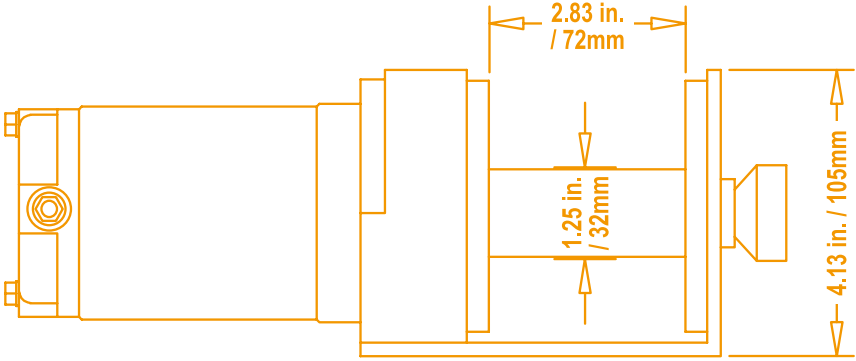
ATV & UTV

**2000-4500LBS
WINCHS**



8

2000LBS STEEL CABLE ELECTRIC WINCH





2000LBS

Rated pull: 2000lbs (908kgs)

Power: DC12 1.0kw (1.5hp)

Gear ratio: 138;1

Gear train: 3-Stage Planetary

Rope size: Φ 4.8mm*15m

Gross and net weight: 7.4/8KGS

Control: hand remoter
with mounting plate

MOUNTING PLATE



4WAY ROLLER FAIRLEAD



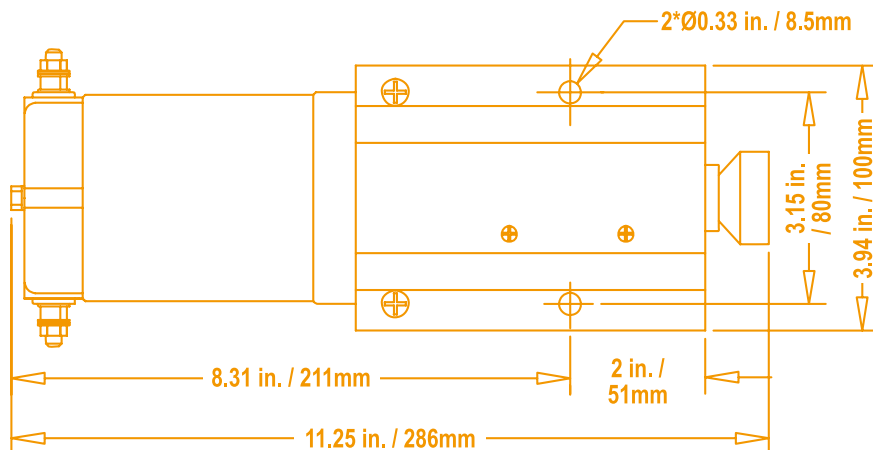
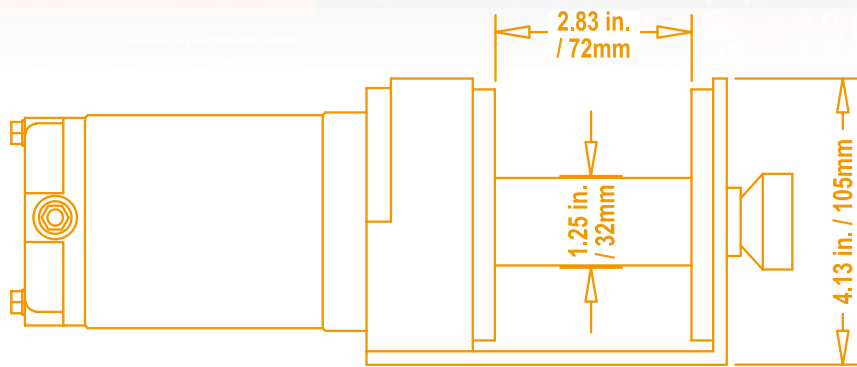
BOLT



MANUAL REMOTE CONTROL



3000LBS SYNTHETIC ELECTRIC WINCH





3000LBS

Rated pull: 3000lbs (1360kgs)

Power: DC12 1.0kw (1.5hp)

Gear ratio: 153;1

Gear train: 3-Stage Planetary

Rope size: Φ 6mm*15m

Gross and net weight: 7.0/7.5KGS

Control: hand remoter+wireless with mounting plate

MOUNTING PLATE



ALUMINIUM FAIRLEAD



PROTECTIVE CAP/ BOLT



HEAVY DUTY HOOK



WIRELESS REMOTE CONTROL



MANUAL REMOTE CONTROL



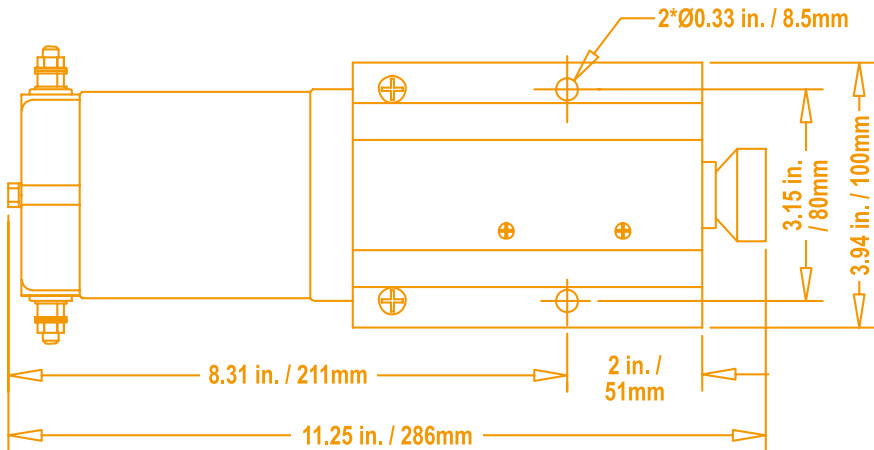
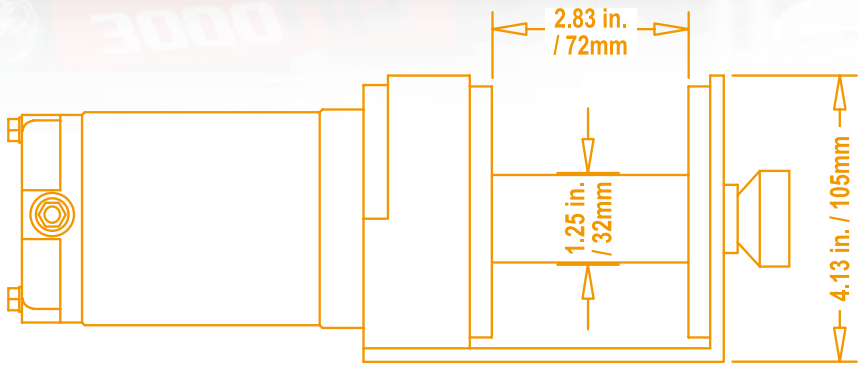
CONTROLLER



SOLENOID CABLES



3000LBS STEEL CABLE ELECTRIC WINCH





3000LBS

Rated pull: 3000lbs (1360kgs)

Power: DC12 1.0kw (1.5hp)

Gear ratio: 153;1

Gear train: 3-Stage Planetary

Rope size: Φ 5mm*9m

Gross and net weight: 8.5/9KGS

Control: hand remoter+wireless with mounting plate

MOUNTING PLATE



4WAY ROLLER FAIRLEAD



PROTECTIVE CAP/ BOLT



HEAVY DUTY HOOK



WIRELESS REMOTE CONTROL



MANUAL REMOTE CONTROL



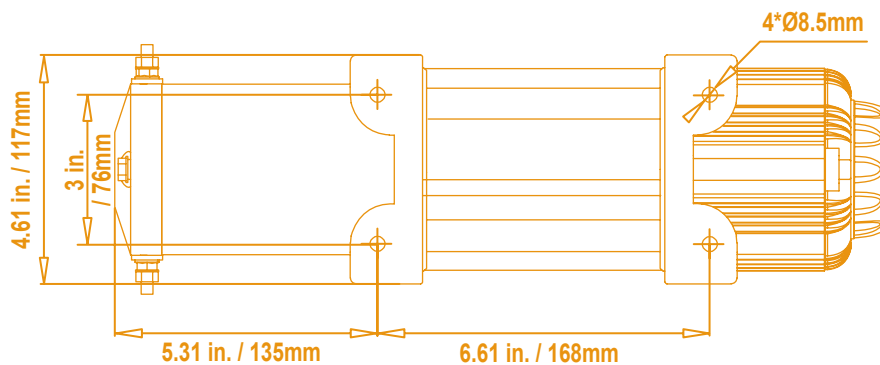
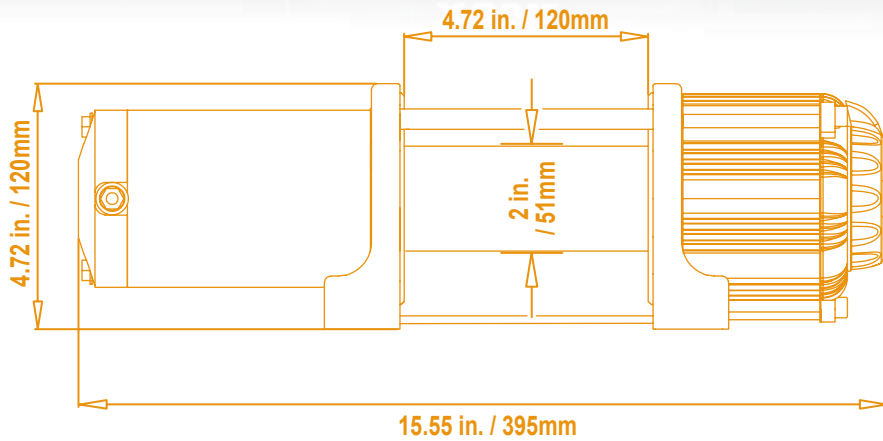
CONTROLLER



SOLENOID CABLES



4500LBS SYNTHETIC ELECTRIC WINCH





4500LBS

Rated pull: 4500lbs (2041kgs)

Power: DC12 1.0kw (1.5hp)

Gear ratio: 136;1

Gear train: 3-Stage Planetary

Rope size: Φ 6.3mm*15m

Gross and net weight: 12/13KGS

Control: hand remoter+wireless with mounting plate

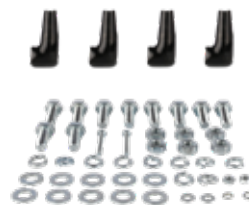
MOUNTING PLATE



ALUMINIUM FAIRLEAD



PROTECTIVE CAP/ BOLT



HEAVY DUTY HOOK



WIRELESS REMOTE CONTROL



MANUAL REMOTE CONTROL



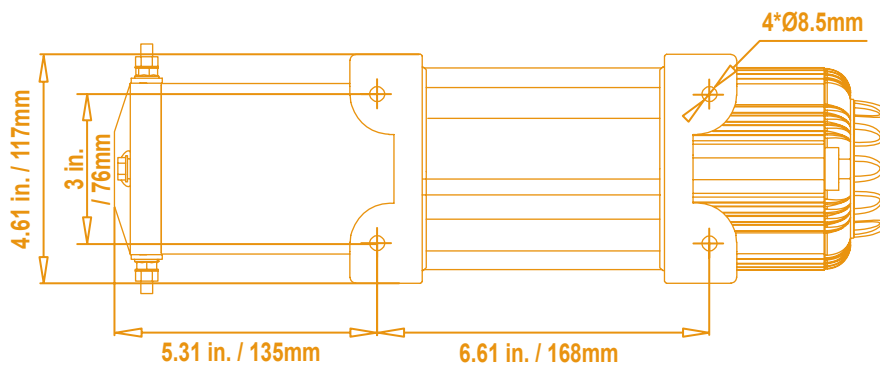
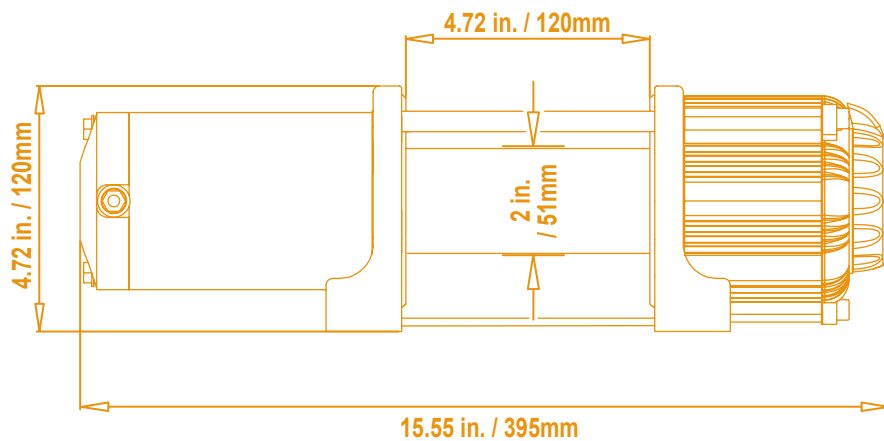
CONTROLLER



SOLENOID CABLES



4500LBS STEEL CABLE ELECTRIC WINCH





4500LBS

Rated pull: 4500lbs (2041kgs)
 Power: DC12 1.0kw (1.5hp)
 Gear ratio: 136:1
 Gear train: 3-Stage Planetary

Rope size: Φ 6.3mm*15m
 Gross and net weight: 12/13kgs
 Control: hand remoter+wireless with mounting plate

MOUNTING PLATE



4WAY ROLLER FAIRLEAD



PROTECTIVE CAP/ BOLT



HEAVY DUTY HOOK



WIRELESS REMOTE CONTROL



MANUAL REMOTE CONTROL



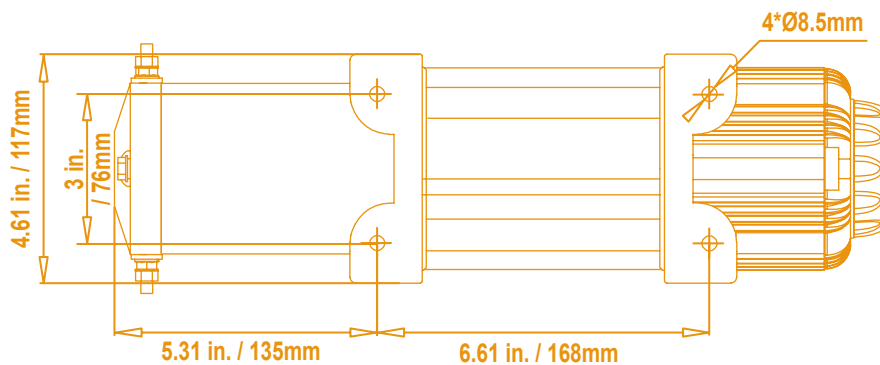
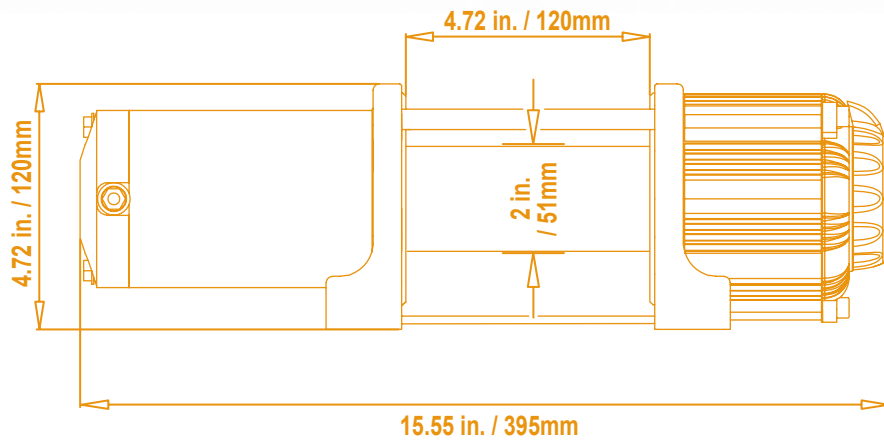
CONTROLLER



SOLENOID CABLES



4500LBS SYNTHETIC ELECTRIC WINCH





4500LBS

Rated pull: 4500lbs (2045kgs)

Power: DC12 1.0kw (1.9hp)

Gear ratio: 198;1

Gear train: 3-Stage Planetary

Rope size: Φ 5.5mm*13m

Gross and net weight:

Control: hand remoter+wireless
with mounting plate

MOUNTING PLATE



ALUMINIUM FAIRLEAD



PROTECTIVE CAP/ BOLT



HEAVY DUTY HOOK



WIRELESS REMOTE CONTROL



MANUAL REMOTE CONTROL



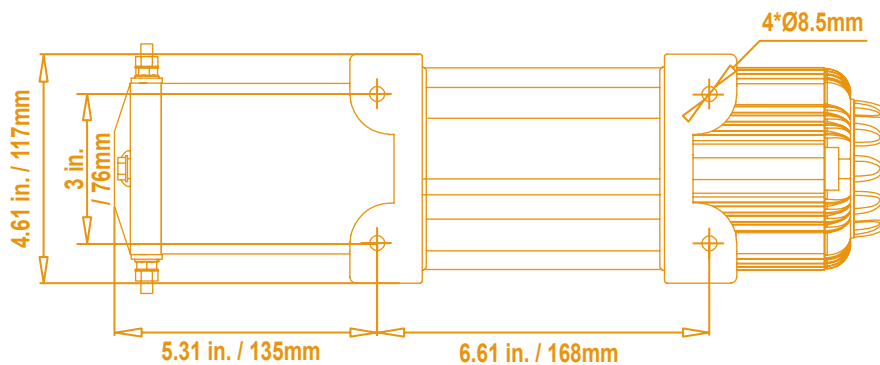
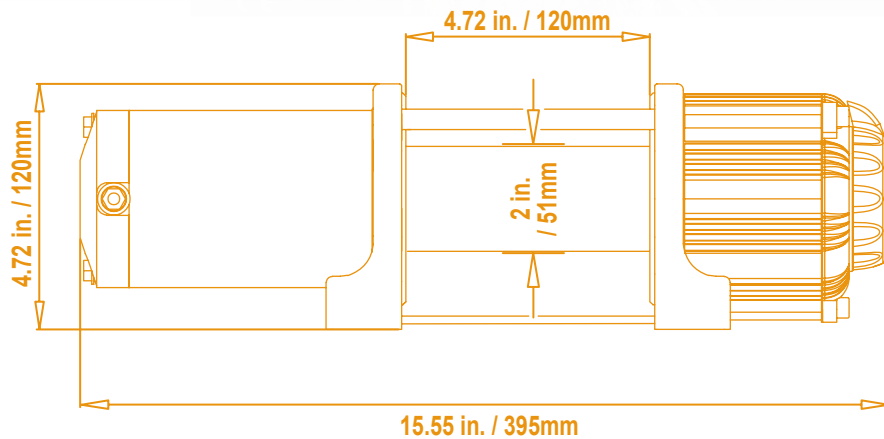
CONTROLLER

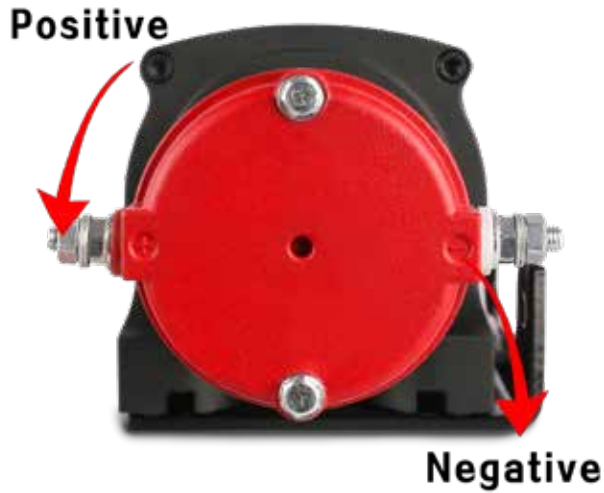


SOLENOID CABLES



4500LBS STEEL CABLE ELECTRIC WINCH





4500LBS

Rated pull: 4500lbs (2041kgs)

Power: DC12 1.0kw (1.5hp)

Gear ratio: 136:1

Gear train: 3-Stage Planetary

Rope size: Φ 6.3mm*15m

Gross and net weight: 12/13kgs

Control: hand remoter+wireless with mounting plate

MOUNTING PLATE



4WAY ROLLER FAIRLEAD



PROTECTIVE CAP/ BOLT



HEAVY DUTY HOOK



WIRELESS REMOTE CONTROL



MANUAL REMOTE CONTROL



CONTROLLER



SOLENOID CABLES



CLASSICAL 4WD WINCH





9500-14500LBS WINCHS

STEEL CABLE ELECTRIC WINCH

9500LBS

Rated pull: 9500lbs (4310kgs)

Rope size: Φ 9mm*28m

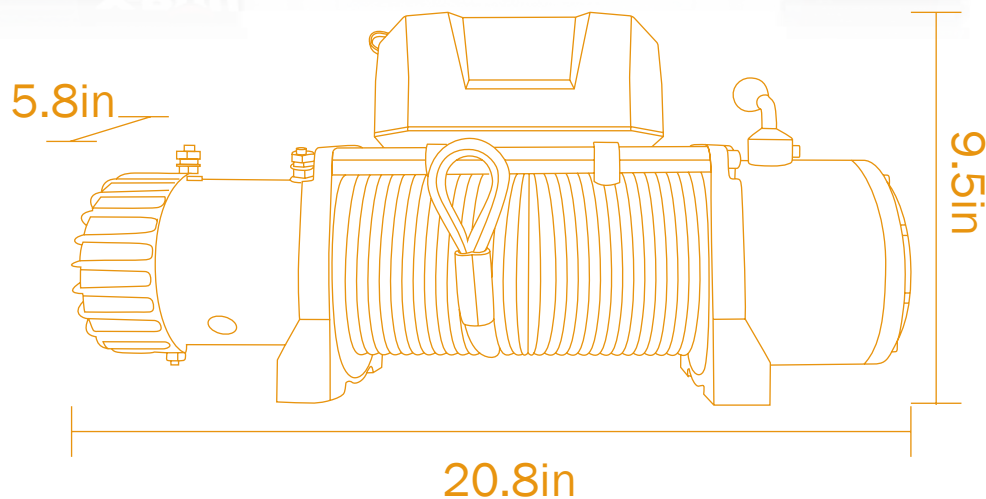
Power: DC12 4.0kw (5.5hp)

Control: hand remoter+wireless

Gear ratio: 265:1

Gross and net weight: 36/38kgs

Gear train: 3-Stage Planetary





12000LBS

Rated pull: 12000lbs (5443kgs)

Power: DC12 4.5kw (6hp)

Gear ratio: 265:1

Gear train: 3-Stage Planetary

Rope size: Φ 9.5mm*24m

Control: hand remoter+wireless

Gross and net weight: 38/40kgs

13000LBS

Rated pull: 13000lbs (5897kgs)

Power: DC12 4.5kw (6hp)

Gear ratio: 265:1

Gear train: 3-Stage Planetary

Rope size: Φ 9.5mm*26m

Control: hand remoter+wireless

Gross and net weight: 38.5/41kgs



HEAVY DUTY HOOK



BOLT



SOLENOID CABLES



WIRELESS REMOTE CONTROL



MANUAL REMOTE CONTROL



4WAY ROLLER FAIRLEAD

SYNTHETIC ELECTRIC WINCH

9500LBS

Rated pull: 9500lbs (4310kgs)

Rope size: Φ 10mm*28m

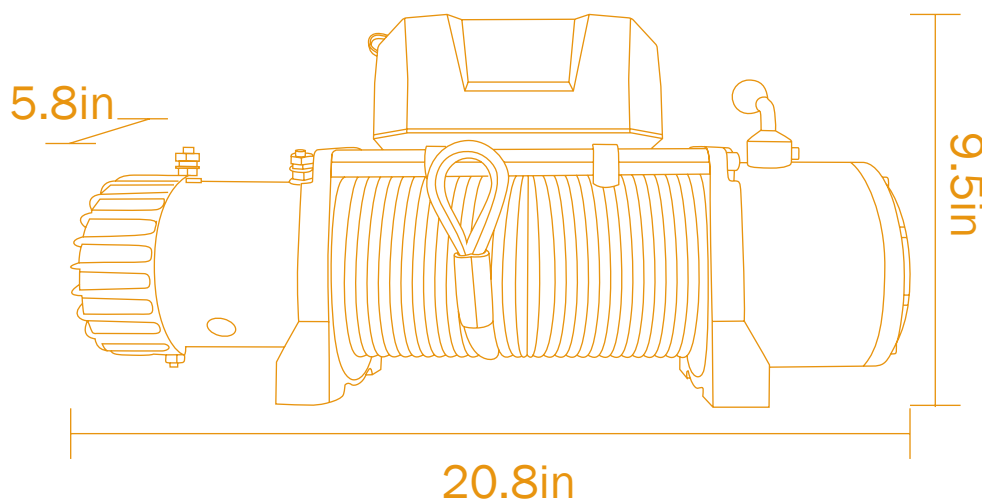
Power: DC12 4.0kw (5.5hp)

Control: hand remoter+wireless

Gear ratio: 265:1

Gross and net weight: 26/28kgs

Gear train: 3-Stage Planetary





12000LBS

Rated pull: 12000lbs (5443kgs)

Power: DC12 4.5kw (6hp)

Gear ratio: 265:1

Gear train: 3-Stage Planetary

Rope size: Φ 10mm*28m

Control: hand remoter+wireless

Gross and net weight: 26/28kgs

13000LBS

Rated pull: 13000lbs (5897kgs)

Power: DC12 4.5kw (6hp)

Gear ratio: 265:1

Gear train: 3-Stage Planetary

Rope size: Φ 10mm*28m

Control: hand remoter+wireless

Gross and net weight: 26/28kgs



HEAVY DUTY HOOK



BOLT



SOLENOID CABLES



WIRELESS REMOTE CONTROL



MANUAL REMOTE CONTROL



ALUMINIUM FAIRLEAD

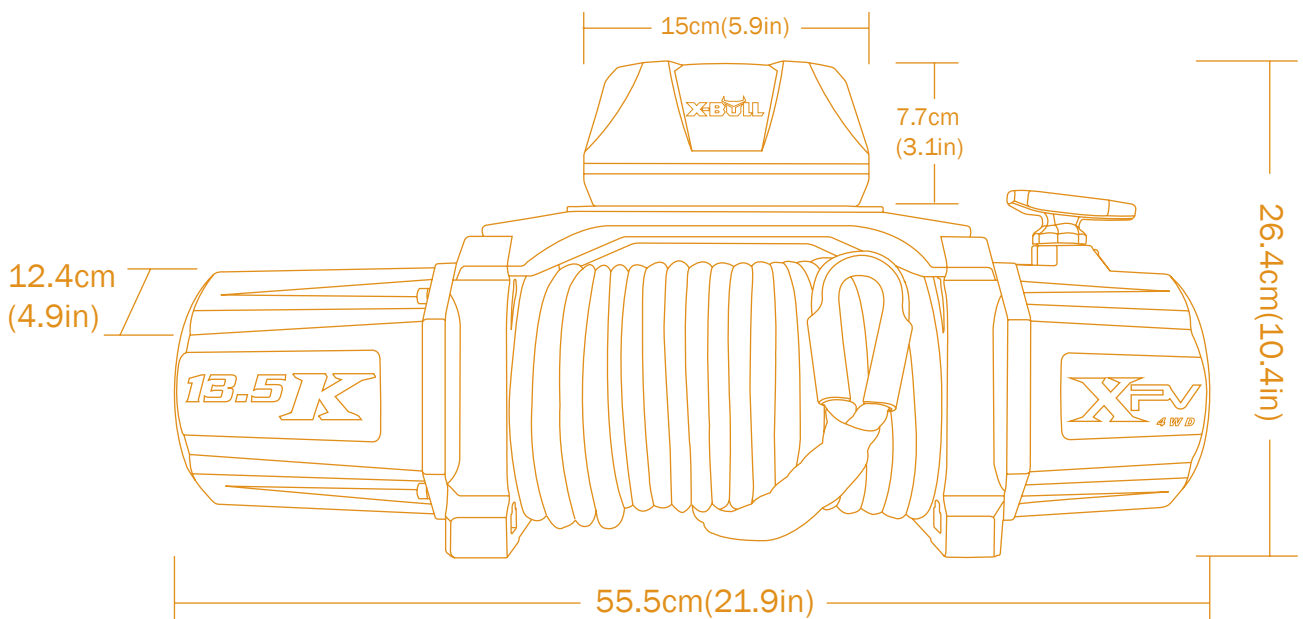
NEW





2021 NEW WINCHS

NEW ELECTRIC WINCH





13500LBS

Rated pull: 13500lbs (6129kgs)

Power: DC12 4.5kw (6hp)

Gear ratio: 265:1

Gear train: 3-Stage Planetary

Rope size: Φ 10mm*28m

Control: 2 in 1 hand remoter

Gross and net weight: 26/28kgs



14500LBS

Rated pull: 14500lbs (6577kgs)

Power: DC12 4.5kw (6hp)

Gear ratio: 265:1

Gear train: 3-Stage Planetary

Rope size: Φ 10mm*28m

Control: 2 in 1 hand remoter

Gross and net weight: 26/28kgs



HEAVY DUTY HOOK



BOLT



SOLENOID CABLES

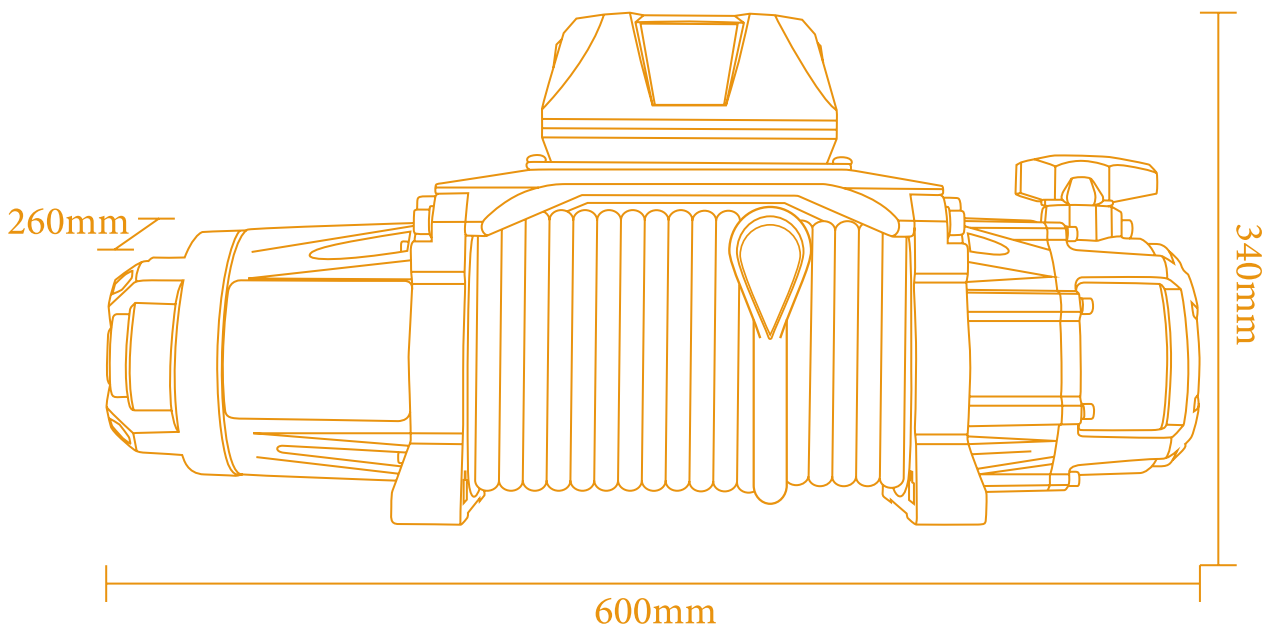


MANUAL/WIRELESS
REMOTE CONTROL



ALUMINIUM FAIRLEAD

NEW ELECTRIC WINCH





13000LBS

Rated pull: 13000lbs (5902kgs)

Power: DC12 4.5kw (6hp)

Gear ratio: 265:1

Gear train: 3-Stage Planetary

Rope size: Φ 10mm*28m

Control: 2 in 1 hand remoter

Gross and net weight: 26/28KGS



HEAVY DUTY HOOK



BOLT



SOLENOID CABLES



MANUAL/WIRELESS
REMOTE CONTROL



ALUMINIUM FAIRLEAD

ACCESSORIES SERIES

FAIRLEAD



ALUMINIUM FAIRLEAD
FOR ATV/UTV WINCH
300*67*18mm



ALUMINIUM FAIRLEAD
FOR CAR WINCH
300*67*18mm



ALUMINIUM FAIRLEAD
FOR CAR WINCH
300*67*18mm



4WAY ROLLER FAIRLEAD
FOR ATV/UTV WINCH



4WAY ROLLER FAIRLEAD
FOR ATV/UTV WINCH

4WAY ROLLER FAIRLEAD
FOR CAR WINCH



CONTROLLER



WIRELESS REMOTER FOR CAR WINCH

WORK DISTANCE:100M(300')
SUIT FOR UNIVERSAL DC12V SOLENOID

ELECTIC WINCH HAND CONTROL
SUIT FOR UNIVERSAL DC12V SOLENOID



ELECTIC WINCH HAND CONTROL
SUIT FOR UNIVERSAL DC12V SOLENOID

ELECTIC WINCH **MANUAL/ WIRELESS** REMOTE CONTROL
SUIT FOR UNIVERSAL DC12V SOLENOID



ACCESSORIES SERIES

WINCH SOLENOID RELAY



UPGRADE WINCH SOLENOID RELAY
500A DC12V
UNIVERSAL FOR CAR WINCH

WINCH PROTECT COVER

WINCH PROTECT COVER
MADE OF SPACE COTTON
WATERPROOF/
DUSTPROOF/ANTI-KNOCK



VEHICLE NUMBERPLATE HOLDER



VEHICLE NUMBERPLATE HOLDER
INSTALL ON WINCH LEADFAIR
TURNOVER WHEN WINCH
NEED WORK

WINCH MOUNTING CRADLE

WINCH MOUNTING CRADLE
FOR ATV UTV



WINCH MOUNTING CRADLE
FOR CAR

WINCH MOUNT BRACKET
FOR CAR

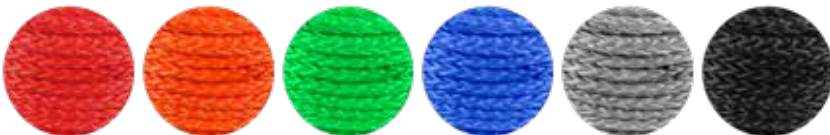


SYNTHETIC WINCH ROPE



SYNTHETIC WINCH ROPE
DIA: 6MM (1/4)
LEN: 15M (50FT)

SUIT FOR 9500-17000LBS WINCH



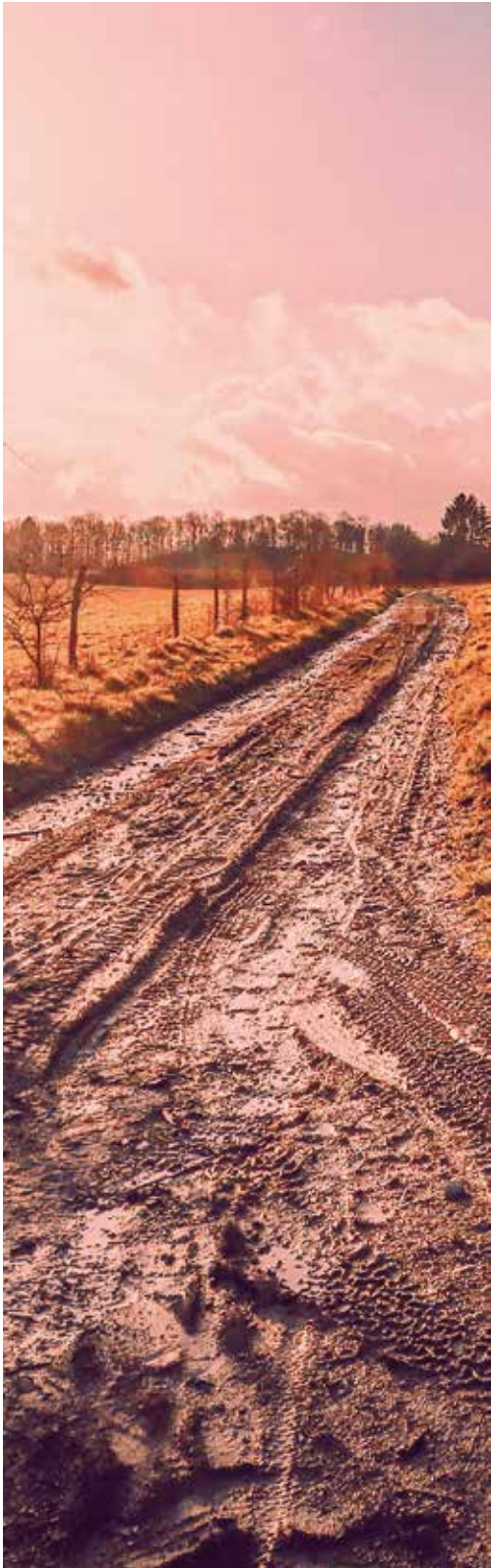
SYNTHETIC WINCH ROPE
DIA: 10MM (3/8)
LENGTH: 30M (100FT)

SUIT FOR 9500-17000LBS WINCH





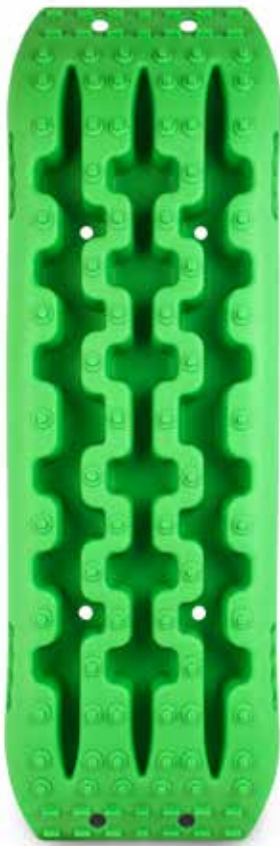
RECOVERY TRACKS





PATENT PROTECTED AT USA EU AU & CN

RECOVERY TRACK**S**



LONG TRACK:

REINFORCED STRONG NYLON

10-TON CAPACITY

UV STABILIZED

108*31*5.5CM

SHORT TRACK:

REINFORCED STRONG NYLON

10-TON CAPACITY

UV STABILIZED

98*31*5.5CM



RECOVERY TRACKS



U-SHAPE & X-SHAPE

The unique U-shaped and X-shape reinforced design on the surface increases the stability of the product, the design of spike effectively prevents side slip when the vehicle gets stuck.

MULTIFUNCTIONAL DESIGN

It can be used as shovels when you're stuck in desert or mud. The lower height on both ends design is also complying with mechanical design principles.

CRUCIFORM DESIGN

Bottom bending-proof ,cruciform grip ground design makes the product more firm, more solid in ground gripping.

NYLON MIXTURE

Nylon material has advantages of toughness,tensile strength, compressive strength, anti-fatigue, anit-corrosion.thermostability and UV resistance.

HANDLE DESIGN

The design of this handle adopts the principle of ergonomics, making you hold it more comfortably.



RECOVERY TRACKS



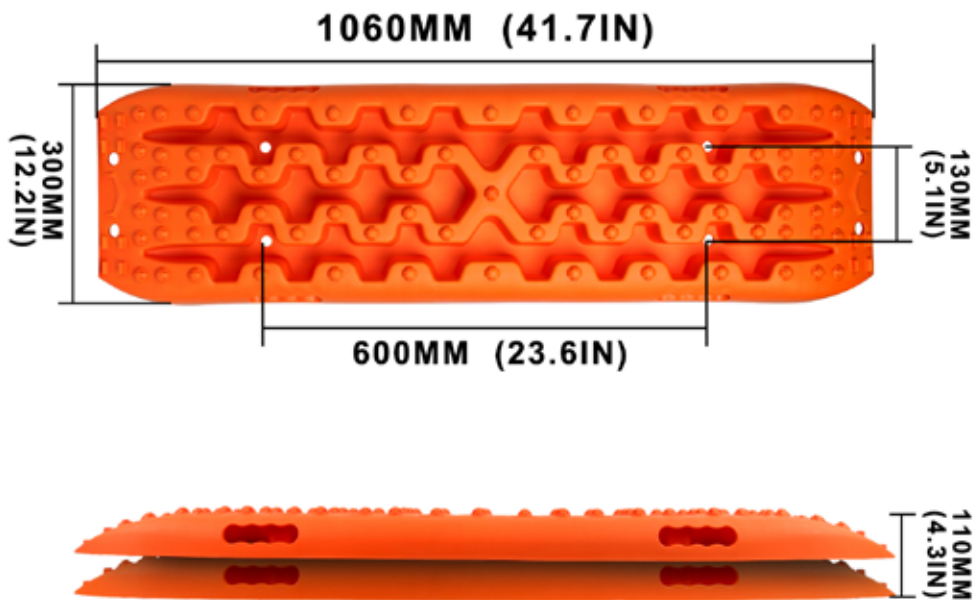
HANDLE DESIGN

Sand / snow / mud grips on underside of track for non-slip applications can accommodate vehicles up to **10 tons**

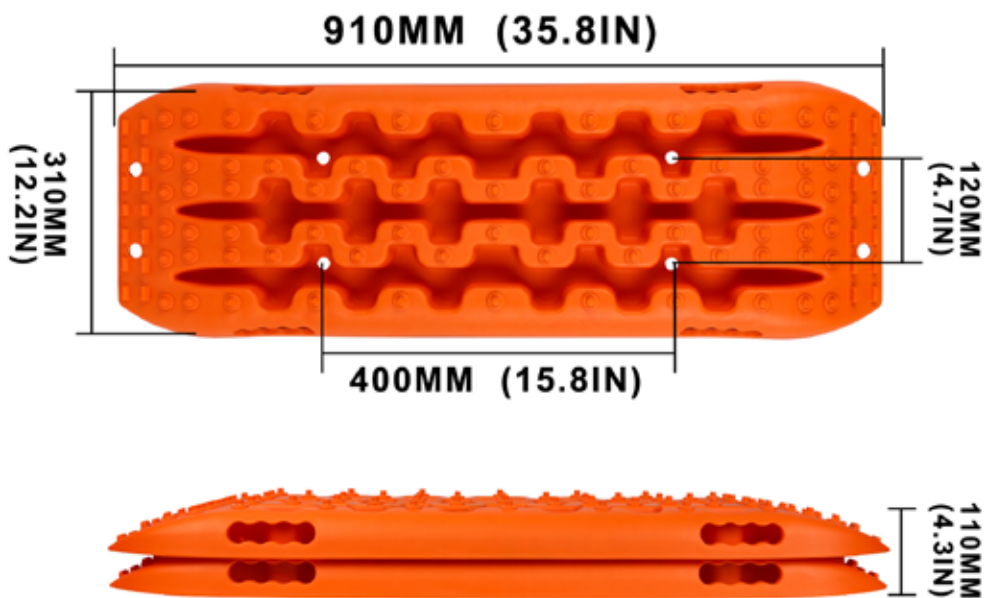
RECOVERY TRACK CARRIER BAG



RECOVERY TRACK MOUNTING KIT



MATERIAL:	REINFORCED STRONG NYLON
CTN SIZE:	1100MM×320MM×125MM
G.N/W:	5.5/6.5KG



MATERIAL:	REINFORCED STRONG NYLON
SIZE:	910MM×310MM×60MM
G.N/W:	5/6KG

RECOVERY TRACKS

new



Catching area :

Accord with human body engineering bring better comfortable holding



Spikes :

Spike changeable,make the track life longer.
More color Spike optional fit different fondness



Catching area :

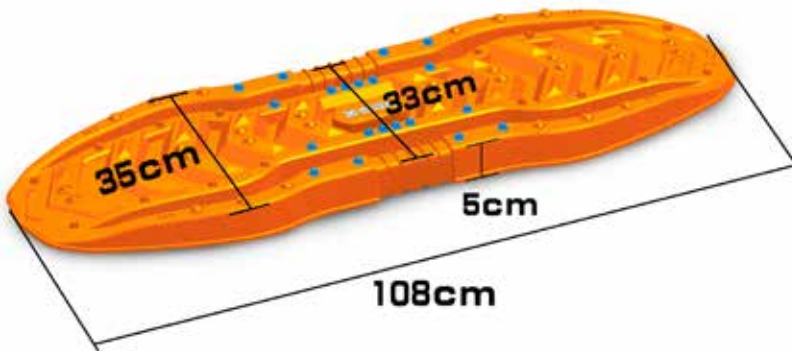
New tread design can welly fit the tire tread
make the better friction





Carrier bag :

Bilayer 600D oxford , more substantial and wear resisting
 Bigger Zipper make unhindered



Item	Specification
Material	High reinforce complex Nylon
Capacity	10tons fully plying-on ground
Size	108*36*5cm
N.W	2.8kgs
Pack size	110*38*13cm
Pouch	Double ply 600D oxford cloth UV
G.W	7kgs
Colors	Many color optional
Patent	Australia EU China





BIKE CARRIER BRACKET



BIKE CARRIER BRACKET

2BIKE SEAT



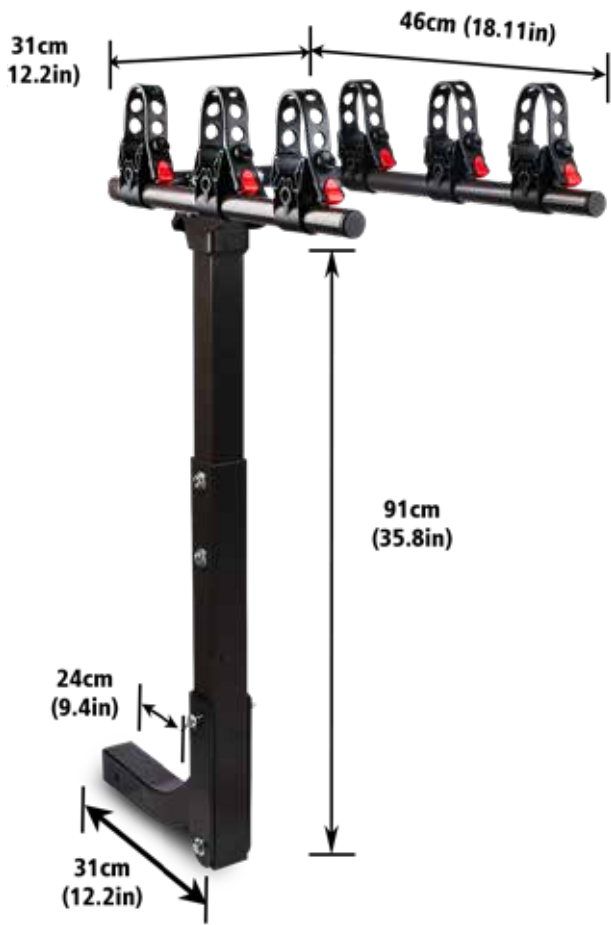


BIKE CARRIER BRACKET
2BIKE SEAT
STANDARD SQAURE HITCH CONNECT

BIKE CARRIER BRACKET

3 BIKE SEAT





BIKE CARRIER BRACKET
3BIKE SEAT
STANDARD SQUARE HITCH CONNECT

BIKE CARRIER BRACKET

4 BIKE SEAT



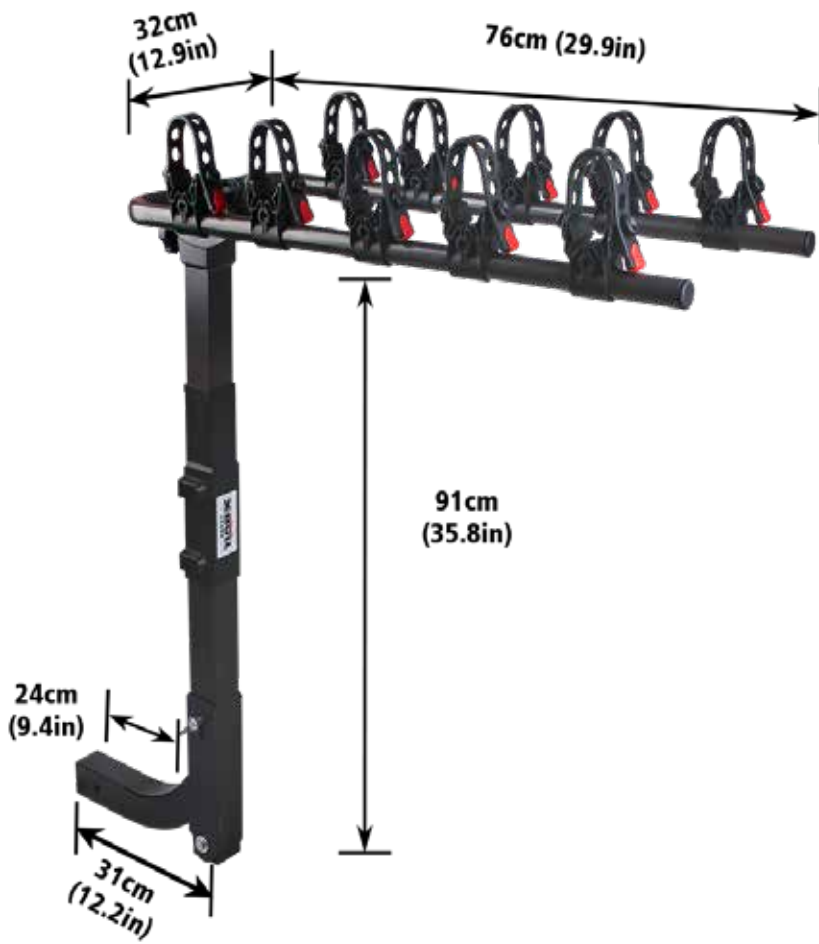


BIKE CARRIER BRACKET
4BIKE SEAT
STANDARD SQUARE HITCH CONNECT

BIKE CARRIER BRACKET

5 BIKE SEAT





BIKE CARRIER BRACKET
5BIKE SEAT
STANDARD SQUARE HITCH CONNECT

TRAILER SERIES





CAR RECOVERY KIT

- **1X TOW STRAP**
- **1X HITCH RECIEVER**
- **2X D-RING SHACKLE**
- **WITH CARRY BAG**
- **1X HITCH LOCK**



CAR RECOVERY KIT

- 1X TOW STRAP
- 1X HITCH RECIEVER
- 2X D-RING SHACKLE
- 1X SNATCH BLOCK
- 1X FOLDABLE SHOVEL
- 1X TIRE PRESSURE GAUGE
- 1X WINCH DAMPER
- 1X HITCH LOCK
- WITH CARRY BAG

