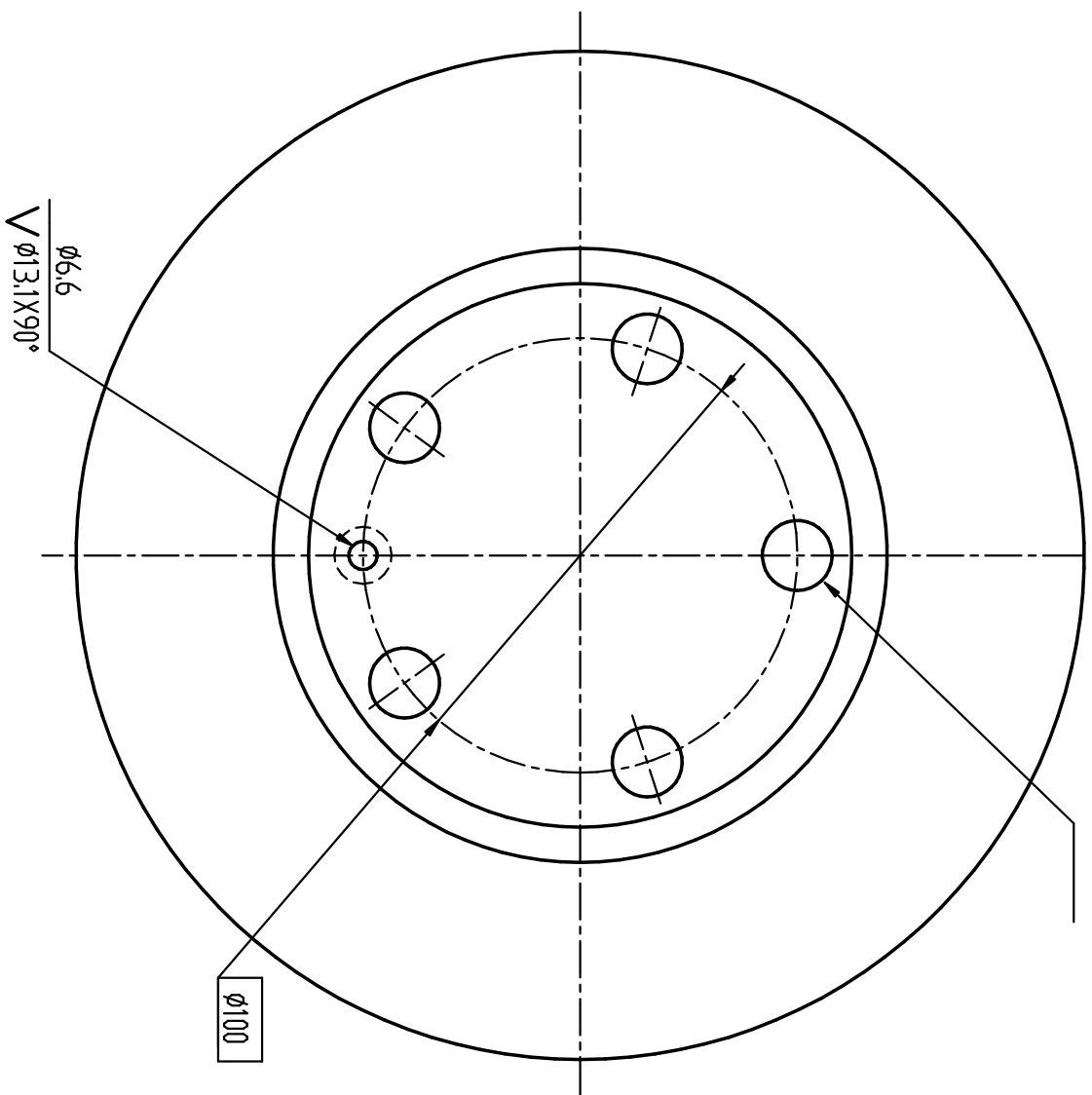


MIN THK 7MM



5X $\phi 16$ EQS

$\phi 100$

$\sqrt{\phi 13.1 \times 90^\circ}$
 $\phi 6.6$

FA-BD-AU14