

Cisco Video Surveillance 8070 IP Camera



The Cisco® Video Surveillance 8070 IP Camera is a High-Definition (HD), fully functioning video endpoint that is equipped with a 12-megapixel sensor and a fisheye lens that can deliver impressive 180° panoramic views and 360° surround views. This IP camera provides industry-leading image quality and processing power and can be deployed in both indoor and outdoor environments.

The camera is capable of 2816 x 2816 resolution while optimizing network utilization with H.265, H.264, or Motion JPEG (MJPEG) compression. Contact closures allow integration with access control systems. With its open, standards-based design, the camera provides an ideal platform for integration and operation as an independent device or as part of a Cisco IP Video Surveillance network.

Key benefits

The Cisco Video Surveillance 8070 IP Camera offers a variety of benefits, including:

- **Outstanding multiview layouts:** 360° surround views and multiregion client dewarped views, with digital PTZ functionality.
- **True high-definition video:** This 360° panomorph network camera streams crisp and clear video at resolutions up to 2816 x 2816, while maintaining low network bandwidth.
- **Indoor and outdoor-ready:** An IK10 and IP66-rated enclosure enables outdoor mounting.
- **Quad streaming:** The camera can stream H.265, H.264, and MJPEG video simultaneously. Each video stream can be configured with independent resolution, quality, and frame-rate settings.
- **Integrated infrared illuminator:** The infrared illuminator can light an area up to 66 feet (20 meters) away.

- **Day and night operation:** The camera provides true day-night functionality and includes an infrared-cut filter that automatically switches to night mode in low-light scenes. This function can be set to manual, automatic, or scheduled control.
- **Privacy regions:** The camera supports up to five user-defined privacy regions. Any video within a privacy region is masked in the video stream.
- **Local storage:** Video data can automatically be recorded to a micro-Secure Digital (SD) card when the camera loses network connectivity.
- **Bidirectional audio:** The camera supports full-duplex audio and options for half-duplex operation.
- **Open API:** Support for Open Network Video Interface Forum (ONVIF) Profile S and Profile G allows for standards-based interoperability and communications with other ONVIF appliances.
- **Flexible power options:** The camera supports Power over Ethernet plus (PoE+) (802.3at compliant) or 12VDC.

Features and specifications

Table 1 describes the capabilities and specifications of the Cisco Video Surveillance 8070 IP Camera.

Table 1. Capabilities and specifications of the Cisco Video Surveillance 8070 IP Camera

Item	Details
Imaging device	1/1.7" progressive CMOS in 4000x3000
Image settings	Time stamp, text overlay, flip and mirror; configurable brightness, contrast, saturation, sharpness, white balance, exposure control, gain, backlight compensation, privacy masks, scheduled profile settings, video rotation, 3-dimensional noise reduction, digital image stabilization, highlight compensation
Wide dynamic range	61.8 dB
Minimum illumination	Color: 0.18 Lux at F2.2 Black/White: < 0.001 Lux at F2.2 (B/W)
Lens	Focal length: 1.29mm Aperture: F2.2
Field of view	180° horizontal 180° vertical 180° diagonal
Shutter speed	1/5 second to 1/16,000 second
Video compression	H.265, H.264, and MJPEG
Audio compression	G.711 A-Law, G.711-U-law, G.726
Maximum Resolution and frame rate	2816 x 2816 at 20 fps
Protocols	IPv4, IPv6, Transmission Control Protocol/Internet Protocol (TCP/IP), Hypertext Transfer Protocol (HTTP), Secure HTTP (HTTPS), Universal Plug and Play (UPnP), Real-Time Streaming Protocol (RTSP), Real-Time Transport Protocol (RTP), Real-Time Transport Control Protocol (RTCP), Internet Group Management Protocol (IGMP), Common Internet File System (CIFS), Server Message Block (SMB), Simple Mail Transfer Protocol (SMTP), File Transfer Protocol (FTP), Dynamic Host Control Protocol (DHCP), Network Time Protocol (NTP), Domain Name System (DNS), Dynamic DNS (DDNS), Point-to-Point Protocol over Ethernet (PPPoE), Simple Network Management Protocol (SNMP), 802.1X, User Datagram Protocol, Internet Control Message Protocol (ICMP), Address Resolution Protocol (ARP), Secure Sockets Layer/Transport Layer Security (SSL/TLS), National Transportation Communications for Intelligent Transportation System Protocol (NTCIP)
Quality of Service (QoS)	Differentiated-Services-Code-Point (DSCP) marking and Class-of-Service (CoS) marking
Power	12VDC through optional external power supply PoE (802.3at)
Power consumption (maximum)	25W

Connectors

Table 2 describes the connectivity and connectors of the Cisco Video Surveillance 8070 IP Camera.

Table 2. Cisco Video Surveillance 8070 IP Camera connectors

Item	Details
Network connectivity	10 Base-T/100 Base-TX with RJ-45 connector
Alarm input	One logic levels programmable
Alarm output*	One logic levels programmable
Storage	Micro SD/SDHC/SDXC card slot
Audio	Two-way (full- and half-duplex), one-way, or audio off
Power input	Terminal block

* Not supported when the camera is used with Cisco Video Surveillance Manager.

Specifications

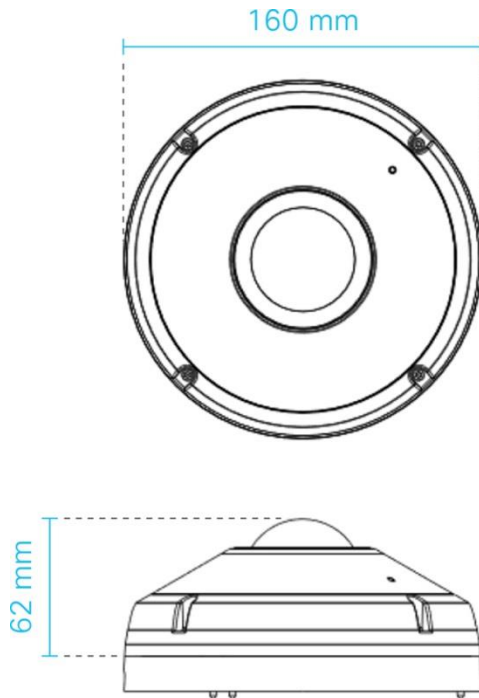
Table 3 provides specifications of the Cisco Video Surveillance 8070 IP Camera.

Table 3. Cisco Video Surveillance 8070 IP Camera specifications

Item	Specification		
LEDs	System power and status indicator		
Dimensions (H x W)	160mm x 61.7mm		
Weight	846g		
Certifications	<table border="0"><tr><td>Safety: UL/CSA 60950-1 IEC/EN 60950-1 CAN/CSA-C22.2 No. 60950-1 IS 13252</td><td>EMC-Requirements: 47 CFR FCC Part 15 Class A AS/NZS CISPR 32 CISPR 32 EN 55032 Class A EN 55024 EN 61000-3-2/3-3 EN 50130-4 ICES-003 Class A VCCI</td></tr></table>	Safety: UL/CSA 60950-1 IEC/EN 60950-1 CAN/CSA-C22.2 No. 60950-1 IS 13252	EMC-Requirements: 47 CFR FCC Part 15 Class A AS/NZS CISPR 32 CISPR 32 EN 55032 Class A EN 55024 EN 61000-3-2/3-3 EN 50130-4 ICES-003 Class A VCCI
Safety: UL/CSA 60950-1 IEC/EN 60950-1 CAN/CSA-C22.2 No. 60950-1 IS 13252	EMC-Requirements: 47 CFR FCC Part 15 Class A AS/NZS CISPR 32 CISPR 32 EN 55032 Class A EN 55024 EN 61000-3-2/3-3 EN 50130-4 ICES-003 Class A VCCI		
Cold start temperature	-25°C to 50°C		
Wide temperature range (operating temperature)	-35°C to 50°C		
Humidity	90% RF		

Figure 1 shows the dimensions of the Cisco Video Surveillance 8070 IP Camera.

Figure 1. Cisco Video Surveillance 8070 IP Camera



Package contents

The items that ship with the Cisco Video Surveillance 8070 IP Camera include:

- Camera
- Extra set of labels
- Cisco RoHS pointer card
- Screwdriver
- Cable ties
- Waterproof seal plug
- Cable washer
- Alignment sticker (mount plate)
- Alignment sticker (camera base)
- I/O cable
- Screw pack
- Mount bracket
- Silica gel (antifog), inside the camera
- Bubble bag
- Corrugated die-cut insert
- Primary carton

Ordering information

Table 4 lists the part numbers for the Cisco Video Surveillance 8070 IP Camera and accessories.

Table 4. Ordering information

Part number	Description
CIVS-IPC-8070=	Cisco Video Surveillance 8070 IP Camera

Services and support

Cisco and our certified partners can help you accelerate success and improve your ROI in a Cisco Physical Security solution. The Cisco lifecycle approach to services defines the requisite activities at each phase of the solution lifecycle:

- Reduce deployment costs by identifying the features that best meet your business requirements.
- Accelerate migration by assessing the readiness of your network to support the system and by developing a sound design.
- Support smooth implementation through effective planning and expert installation, configuration, and integration.
- Increase operational efficiency and extend the value of your investment with award-winning technical support.

For more information about Cisco Services, visit <https://www.cisco.com/go/services>.

Cisco Capital

Financing to help you achieve your objectives

Cisco Capital[®] can help you acquire the technology you need to achieve your objectives and stay competitive. We can help you reduce CapEx. Accelerate your growth. Optimize your investment dollars and ROI. Cisco Capital financing gives you flexibility in acquiring hardware, software, services, and complementary third-party equipment. And there's just one predictable payment. Cisco Capital is available in more than 100 countries. [Learn more.](#)

For more information

For more information about the Cisco Video Surveillance 8070 IP Camera, visit <https://www.cisco.com/go/videosurveillance> or contact your local account representative.



Americas Headquarters
Cisco Systems, Inc.
San Jose, CA

Asia Pacific Headquarters
Cisco Systems (USA) Pte. Ltd.
Singapore

Europe Headquarters
Cisco Systems International BV Amsterdam,
The Netherlands

Cisco has more than 200 offices worldwide. Addresses, phone numbers, and fax numbers are listed on the Cisco Website at <https://www.cisco.com/go/offices>.

Cisco and the Cisco logo are trademarks or registered trademarks of Cisco and/or its affiliates in the U.S. and other countries. To view a list of Cisco trademarks, go to this URL: <https://www.cisco.com/go/trademarks>. Third-party trademarks mentioned are the property of their respective owners. The use of the word partner does not imply a partnership relationship between Cisco and any other company. (1110R)