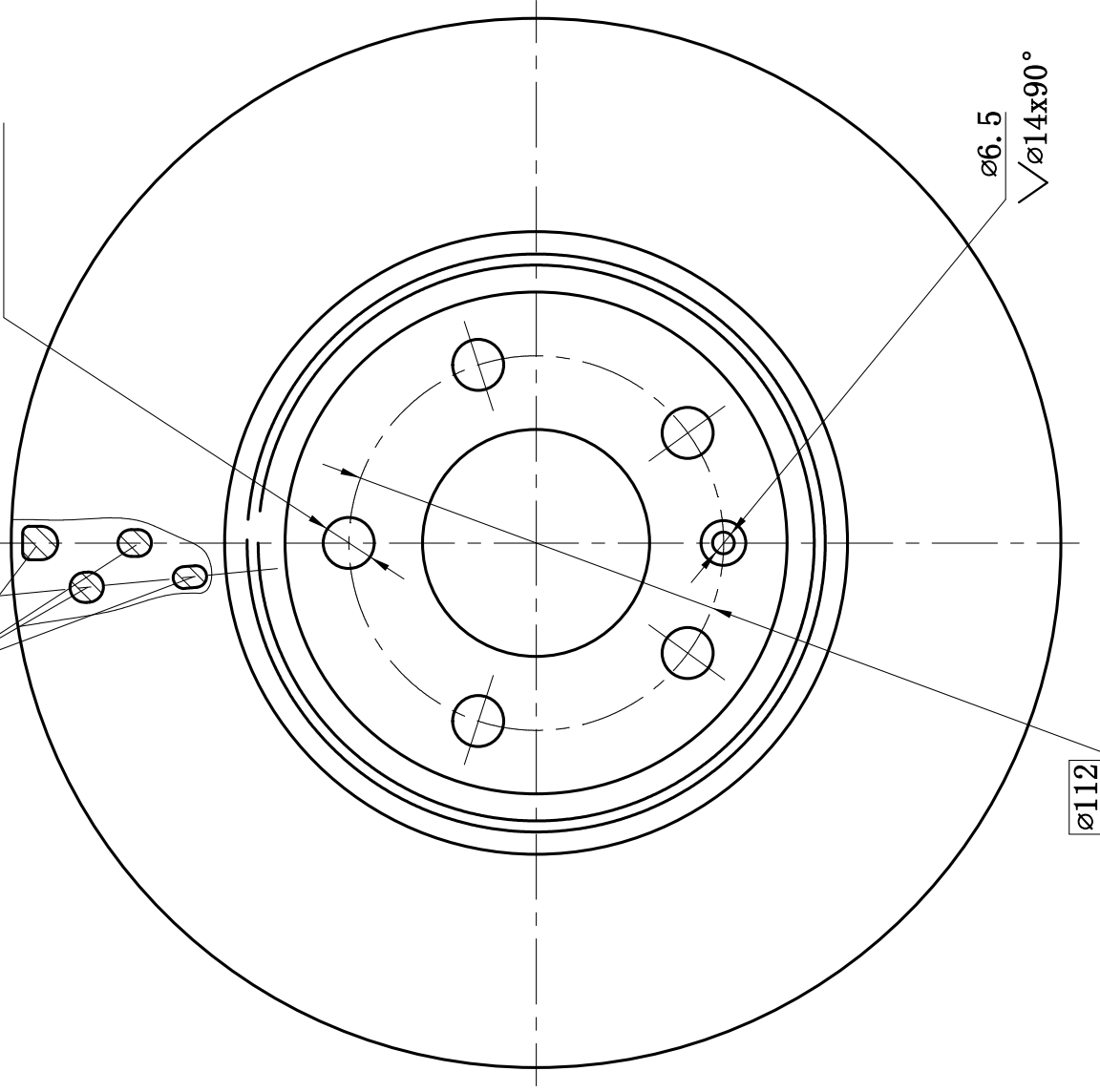
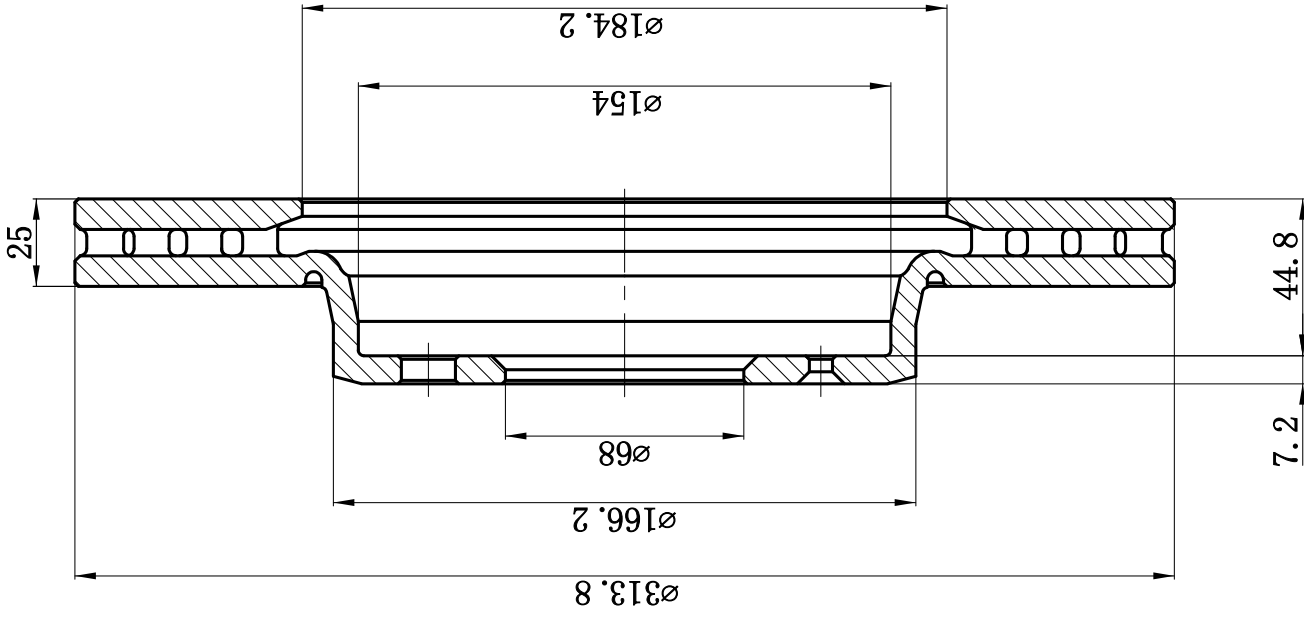


4 RIBS PER GROUP
32 GROUPS EQ. SP

5X ϕ 15.3 EQS



MIN THK 23 MM

FA-BD-AU29P