

## SPRING BRASS CHECK VALVE 4MS ACS

All positions spring brass check valve 4MS for drink water, heating, cold and hot water.  
CW617N-4MS brass body, brass disc with NBR gasket for an excellent low and high pressure tightness.  
Perfect centering of the throttle on the seat thanks to the double axial and lateral guidance



**Size :** DN 3/8" to 4"  
**Ends :** Female BSP  
**Min Temperature :** -10°C  
**Max Temperature :** +100°C  
**Max Pressure :** 25 Bars  
**Specifications :** All positions  
Female/Female  
Brass disc  
NBR gasket  
Low head loss

**Materials :** Brass body CW617N-4MS according to EN 12165

**SPRING BRASS CHECK VALVE 4MS ACS**

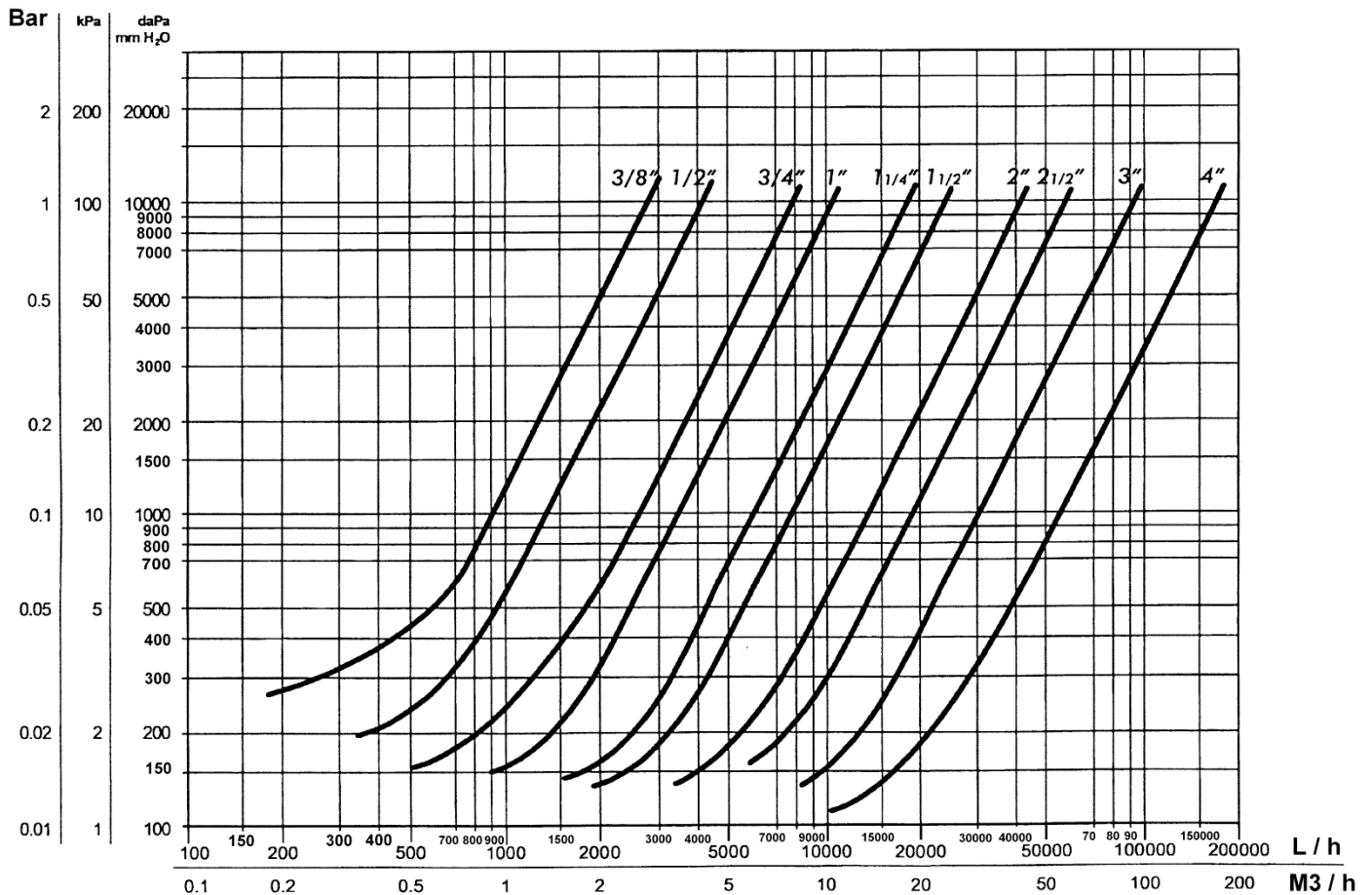
**SPECIFICATIONS :**

- All positions ( respect the flow direction indicated by the arrow )
- Female / female type
- Brass throttle
- Perfect centering of the throttle on the seat thanks to the double axial and lateral guidance
- Low opening pressure
- Better mechanical strength thanks to the brass CW617N-4MS body
- All positions with AISI 304 spring
- Excellent low and high pressure tightness thanks to the NBR gasket

**USE :**

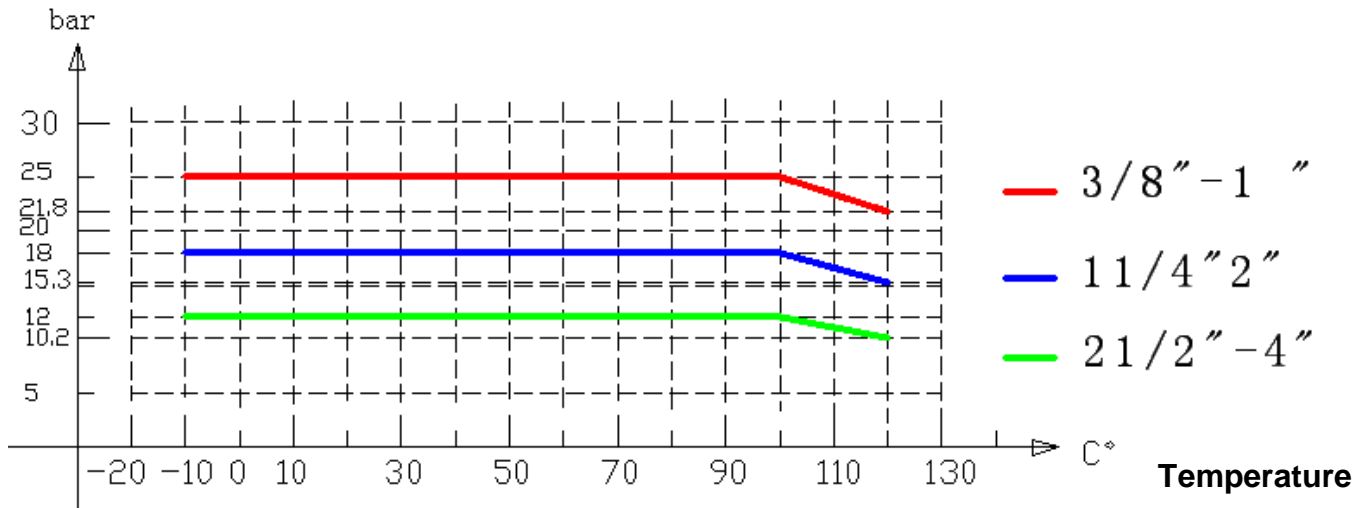
- Heating, drinking water, compressed air, domestic fuel oil
- Min Temperature Ts : - 10°C
- Max Temperature Ts :+ 100°C
- Max Pressure Ps : 25 bars up to DN 1" , 18 bars 1"1/4 to 2" and 12 bars over

**HEAD LOSS :**



**SPRING BRASS CHECK VALVE 4MS ACS**

**PRESSURE / TEMPERATURE GRAPH (STEAM EXCLUDED):**



**OPENING PRESSURE :**

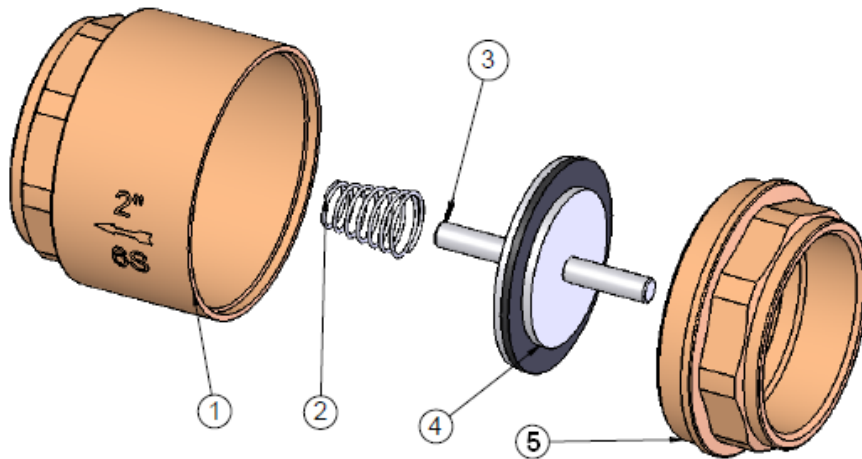
- Opening pressure between 20 and 200 mbar

**RANGE :**

- Threaded female BSP cylindrical DN 3/8" to DN 4"

**SPRING BRASS CHECK VALVE 4MS ACS**

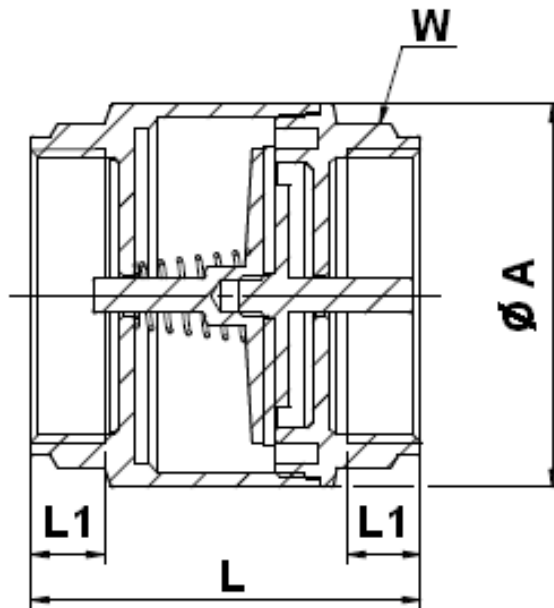
**MATERIALS:**



Item	Designation	Materials
1	Body	Brass CW 617N-4MS according to EN 12165
2	Spring	AISI 304
3	Throttle	Brass CW 617N-4MS according to EN 12165
4	Gasket	NBR
5	Bonnet	Brass CW 617N-4MS according to EN 12165

**SPRING BRASS CHECK VALVE 4MS ACS**

SIZE ( in mm ) :



Ref.	DN	3/8"	1/2"	3/4"	1"	1"1/4	1"1/2	2"	2"1/2	3"	4"
307	Ø A	30	30	37	44.5	55	62	78	97	111	140
	L	41.5	47.5	51	58	64	71	79.5	94	102	123
	L1	9	11	11	12	14	16	15	20	22	23.5
	W	19.5	24.5	30	37	47	53.5	67	82	95	120
	Weight (Kg)	0.11	0.12	0.18	0.29	0.4	0.58	0.9	1.54	2.08	3.35

**SPRING BRASS CHECK VALVE 4MS ACS**

**STANDARDS :**

- Manufacturer certified ISO 9001 :2015 and ISO 14001 : 2015
- DIRECTIVE 2014/68/EU : Products excluded from directive ( Article 4, § 3 )
- French water agreement **A.C.S. N° 17 ACC LY 543**
- Threaded female BSP cylindrical ends according to ISO 228-1

**ADVICE :** Our opinion and our advice are not guaranteed and SFERACO shall not be liable for the consequences of damages.  
The customer must check the right choice of the products with the real service conditions.