

Fig.1

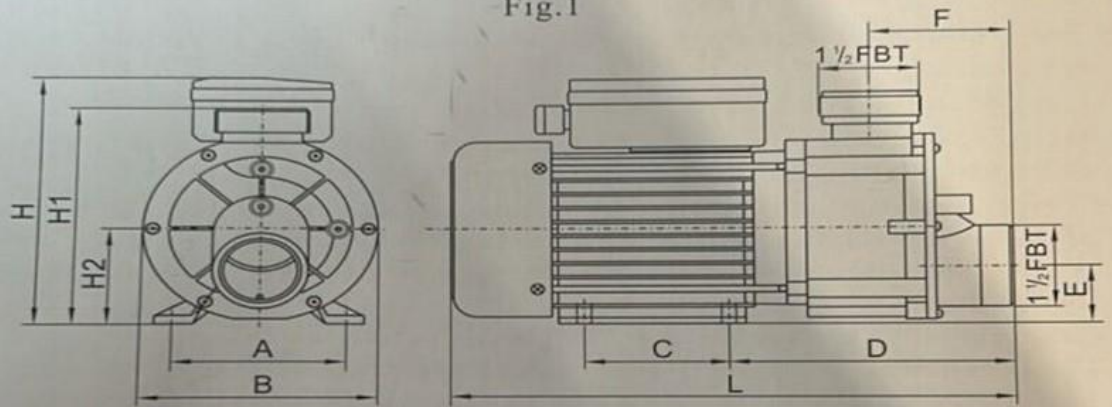


Fig.2

Model	Power (P1)		A	B	C	D	E	F	L	H	H1	H2
	kW	HP										
JA35(T)	0.25	0.35	100	152.5	80	164	32.5	89	317	183	168	63
JA50(T)	0.37	0.50										
JA75(T)	0.55	0.75	112	152.5	90	175	43.5	86	350	205	178	74
JA100(T)	0.75	1.0										
JA120(T)	0.90	1.2										
JA150(T)	1.10	1.5	121	186	90	218	48	120	405	215	211	90
JA200(T)	1.50	2.0										