

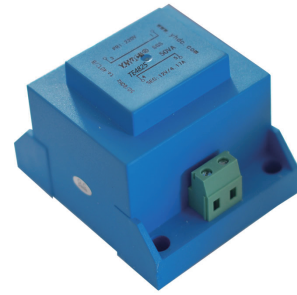
# TE series isolation transformer



Model:TE4825

**Characteristics:**

Sub-plate mount, Vacuum Epoxy Encapsulated,  
Crimping terminal output.



**Technical Index:**

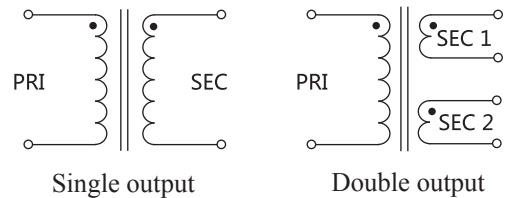
Technical Index: Sub-plate mount  
Flame resistance : UL94-V0  
Insulation class: B  
Operation temperature: -30°C~+40°C  
Work frequency: 50Hz~60Hz  
Dielectric strength: 3.75KV 50Hz 1min

**Technical Parameters table:**

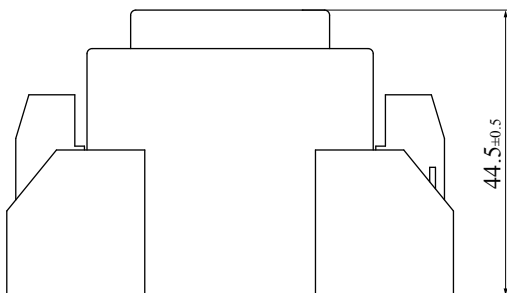
|                       |             |    |
|-----------------------|-------------|----|
| Primary voltage       | 110/220/230 | V  |
| Primary voltage range | ±10         | %  |
| Voltage regulation    | ≤17         | %  |
| Power                 | 15          | VA |
| Temperature rising    | ≤25         | °C |
| No load loss          | ≤0.9        | W  |
| weight                |             | g  |

| Secondary voltage |        | Secondary no load voltage |         | Secondary full load current |           |
|-------------------|--------|---------------------------|---------|-----------------------------|-----------|
| Single            | Double | Single                    | Double  | Single                      | Double    |
| 6V                | 6V×2   | 6.7V                      | 6.7V×2  | 2500mA                      | 1250mA×2  |
| 7.5V              | 7.5V×2 | 8.4V                      | 8.4V×2  | 2000mA                      | 1000mA×2  |
| 9V                | 9V×2   | 10.1V                     | 10.1V×2 | 1666mA                      | 833mA×2   |
| 12V               | 12V×2  | 13.4V                     | 13.4V×2 | 1250mA                      | 625mA×2   |
| 15V               | 15V×2  | 16.8V                     | 16.8V×2 | 1000mA                      | 500mA×2   |
| 18V               | 18V×2  | 20.1V                     | 20.1V×2 | 833mA                       | 416.5mA×2 |
| 24V               | 24V×2  | 26.9V                     | 26.9V×2 | 625mA                       | 312.5mA×2 |

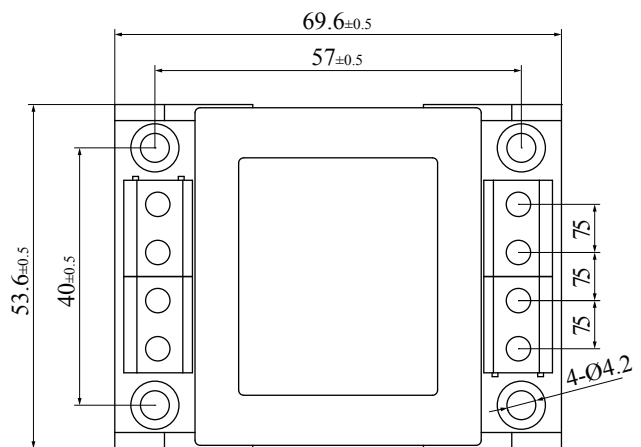
**Schematic Diagram:**



Dimension (in mm) :



Front View



Top View