

Patent number: ZL 2020 2 1000365.1

Product picture print for reference only, subject to the actual product

Characteristics:

1. Vacuum epoxy potting, 100°C/6 h high temperature aging, Twenty years of life, High electrical strength
2. High quality H18 silicon steel sheet, Low temperature, High efficiency
3. PBT engineering plastic, environmental protection, flame retardant, 120 degrees without deformation
4. Reasonable structure, Easy installation, Low noise, Strong earthquake sealed waterproof, moistureproof



Technical Index:

- Technical Index: Sub-plate mount
- Flame resistance: UL94-V0
- Insulation class: B
- Operation temperature: -30°C ~ +40°C
- Work frequency: 50Hz ~ 60Hz
- Dielectric strength: Pri/Sec 3.5KV 50Hz 1min 5mA
Sec 500V 50Hz 1min 5mA

Standard output parameters Table:

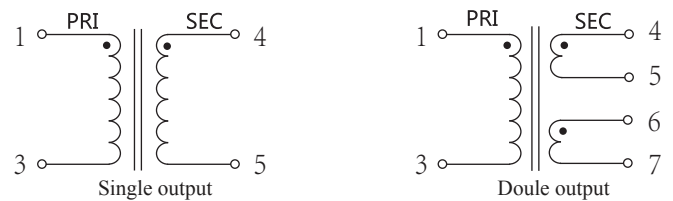
(Delivery is subject to full load voltage)

Secondary output voltage		Secondary No-load Voltage		Secondary full load current	
Single	Double	Single	Double	Single	Double
6V	6V×2	6.7V	6.7V×2	8.3A	4.1A×2
7.5V	7.5V×2	8.4V	8.4V×2	6.6A	3.3A×2
9V	9V×2	10V	10V×2	5.5A	2.7A×2
12V	12V×2	13.5V	13.5V×2	4.1A	2.1A×2
15V	15V×2	16.8V	16.8V×2	3.3A	1.6A×2
18V	18V×2	20.2V	20.2V×2	2.7A	1.3A×2
24V	24V×2	27V	27V×2	2.1A	1A×2

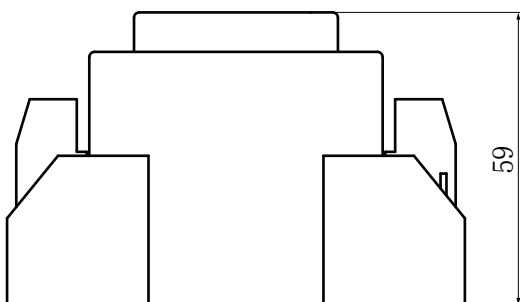
Electrical parameters: The following parameters are typical values. The actual values shall be subject to the actual measurement of the product

Primary voltage	110V	220V	230V	380V	Unit
Primary voltage range	±10				%
Power	50				VA
Voltage regulation	≤12				%
Temperature rising	≤35				°C
No load loss	≤2.5				W
weight	923				g

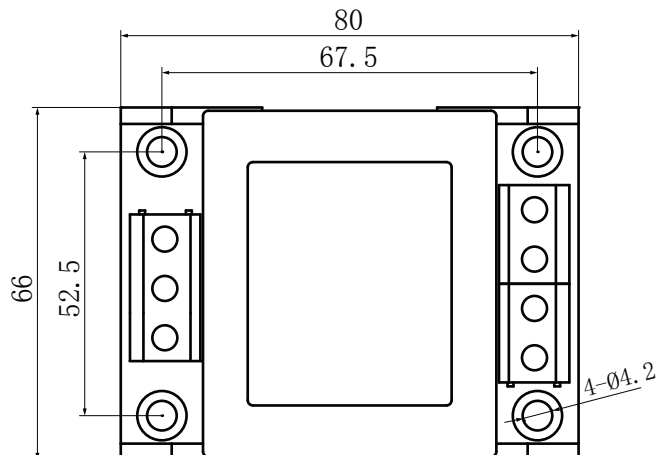
Schematic Diagram:



Dimensions (in mm±0.5)



Front view



Top view