

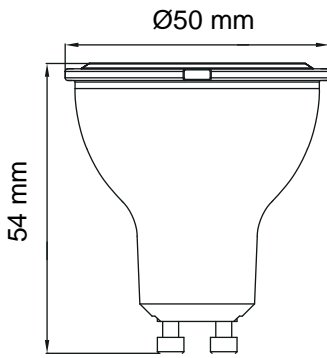
LED BULB

Product&Family Code: 001 064 0008

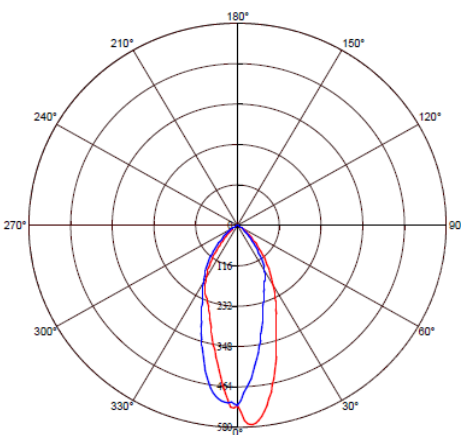
CONVEX-8



Technical Drawing

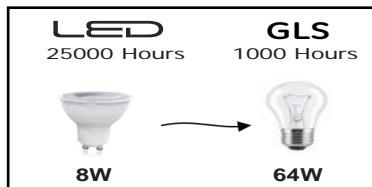


Photometric Diagram



C0 Plane beam angle(50%) C90 Plane beam angle(50%)

C0 Plane beam angle(50%):38.3(DEG) C90 Plane beam angle(50%):37.4(DEG)



| Technical Data | |
|---|--------------------|
| Voltage (V) | 175-250V |
| Product Wattage (W) | 8 |
| Equivalence with incandescent lamp | 64 |
| Colour Render Index (Ra) | >Ra80 |
| Colour Temperature (K) | 3000K-4200K-6400K |
| Materials | Aluminium + PC |
| Protection Class | - |
| Dimmable | No |
| EEL | A F |
| Warm-up time up to 60 %of the full light output | Instant Full Light |
| Luminous Flux (lm) | 640 |
| Luminous Efficacy (lm/W) | 80 |
| Rated Life (hrs) ⌚ | 25,000 |
| IP Rating | - |
| Power Factor | >0.5 |
| Beam Angle ☆ | 38 ° |
| Starting Time | <0.5s |
| Number of ON-OFF cycling | 12.500 |

Applications

- The luminaire is an excellent solutions for market, museum, restaurant, show room, and other spot lighting needed.



Features

- Low power consumption
- Efficient replacement for incandescent lamps
- Mercury free, no UV and IR radiation
- Instant on, 100% light output

